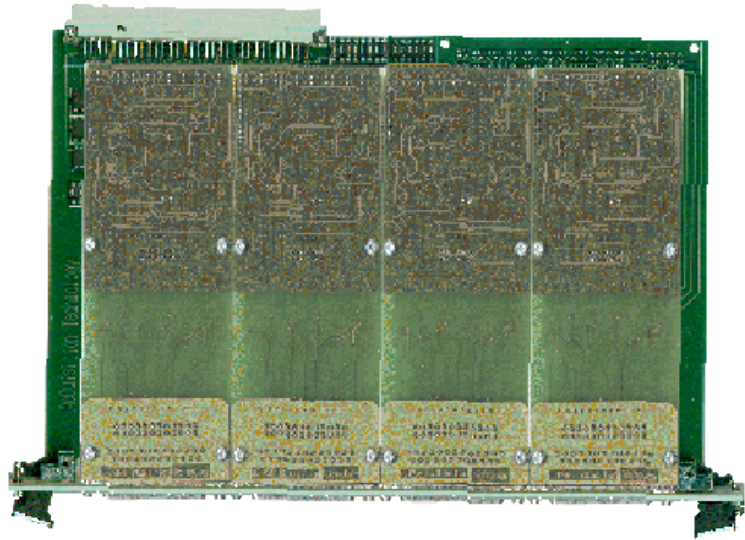


## VME323

# Quadrature Incremental Decoder Interface for VMEbus



The VME323 is an Intelligent Quadrature Incremental Decoder VMEbus Board which can be configured for interfacing quadrature incremental encoders with or without an index channel. In index mode up to sixteen encoders with two quadrature channels and an index channel can be connected, and in non-index mode up to twentyfour encoders with two quadrature channels can be connected. The VME323 operates on two encoder input channels and decodes a pair of out-of phase signals in order to increment or decrement a counter. This VMEbus board has a 6U form and is also available as 3U VMEbus board.

### Features:

- > Executes local firmware from ROM or custom firmware downloaded by the host
- > Mailbox with polling and/or host interrupt, local interrupt mechanism
- > Each encoder input is assigned to a 32-bit counter
- > Index signals can be configured for detection of rising, falling or any edge
- > Index can be used to load the corresponding counter with a preset value
- > Counter value has one LSB uncertainty during movement and is accurate at ease

## VMEbus Interface

- \* The VMEbus slave interface of the VME323 is compliant with the VMEbus Specification Rev C.1.
- \* Supports standard or short addressing (A24/A16), D16/D08(E0) data transfer capabilities and configurable interrupt level (I(x)).

## Controller

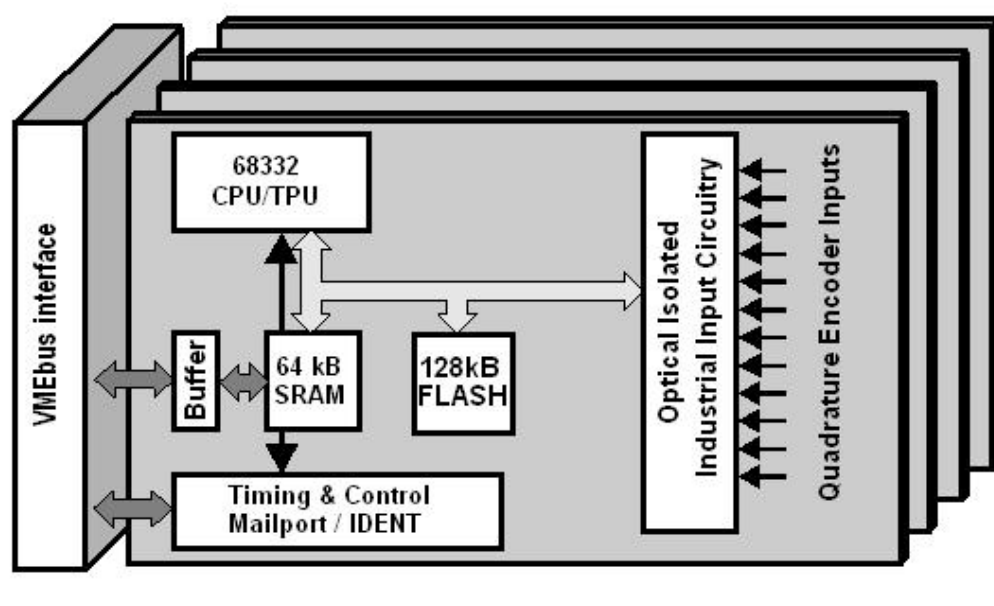
- \* The VME323 is based on four MC68332 local controllers.
- \* The MC68332s handle high-level commands and provide a very flexible and versatile software interface for autonomous control over complex tasks.

## Input Circuit

- \* The industrial inputs are optically isolated and the VME323 has good noise immunity.
- \* Four slotted 2-channel out-of-phase square-waved quadrature incremental encoders can be connected.
- \* The VME323 interfaces, in index-mode, with up to 16 encoders with two quadrature channels and an index channel or in non index-mode, with up to 24 encoders with two quadrature channels.

## Ordering Information

- \* **VME1323/T01** 3U 6-channel encoder input controller
- \* **VME323/T01** 6U 24-channel encoder input controller
- \* **VME(1)323/SW** APIS based software for VME323
- \* **VME(1)323/MAN** VME323 manual on paper



AcQ  International

AcQ International BV  
Alanenweg 6  
5342 PV OSS  
The Netherlands

Phone +31 (0)412 64 19 22  
Internet [www.acq.nl](http://www.acq.nl)  
E-mail [info@acq.nl](mailto:info@acq.nl)

vme323\_v3\_ds