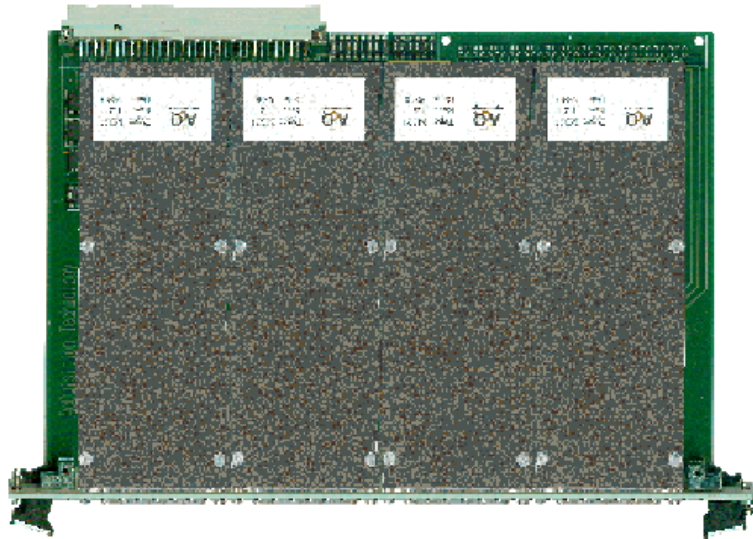


VME321

Stepper Motor Controller for VMEbus



The VME321 Intelligent Stepper Motor Controller with Amplifiers is an ideal solution for all applications where stepper motors must be controlled with a maximum of flexibility and a minimum of overhead. The local processor handles all high-level commands to provide maximum control for both straightforward as very complex applications.

This VMEbus board has a 6U form and is also available as 3U VMEbus board.

Features:

- > Controls four sets of two 2-phase or one 4-phase motors
- > Firmware compatible with VME322 intelligent stepper motor controller for external amplifiers
- > Interrupts on position breakpoint, trajectory complete and command complete
- > Programmable hold-current reduction
- > User configurable maximum current
- > Brake Support
- > Full-, half- and micro-stepping (up to 16 micro steps per full-step)
- > Eight home sensor inputs
- > Step-rates up to 50kHz
- > Programmable acceleration from 50Hz/sec to 5,000kHz/sec.
- > Hardware synchronization lines

VMEbus Interface

- * The VMEbus slave interface of the VME321 is compliant with the VMEbus Specification Rev C.1.
- * It supports standard or short addressing (A24/A16), D16/D08(E0) data transfer capabilities and configurable interrupt level (I(x)).

Controller

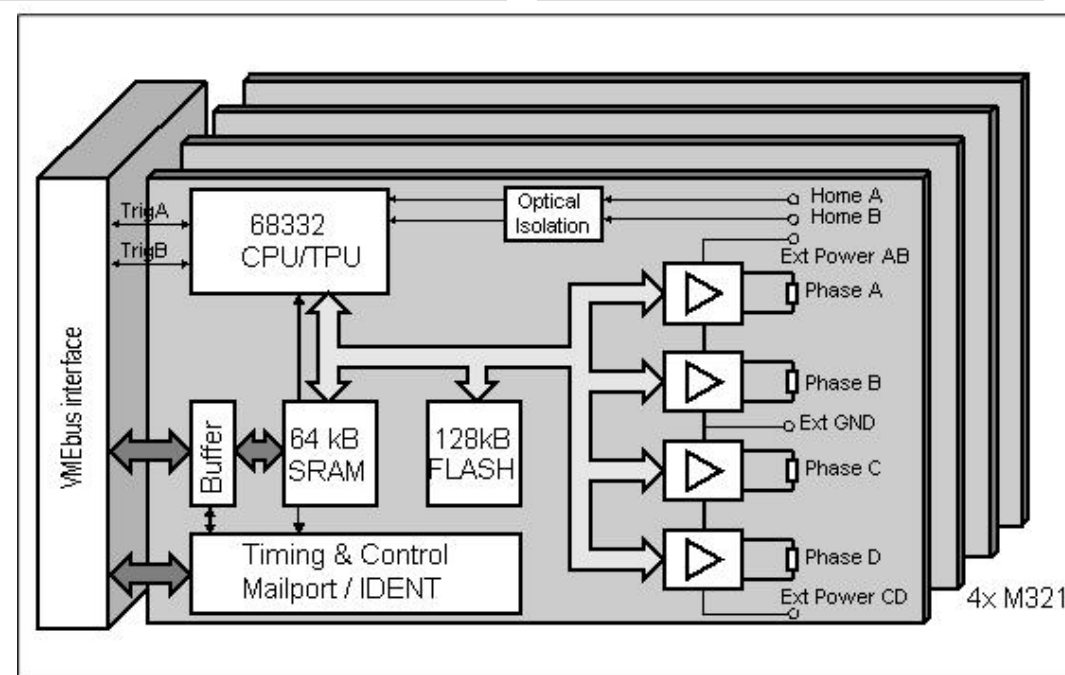
- * Quad MC68332 execute local software
- * Very flexible and versatile software interface
- * Autonomous control over complex tasks
- * MC68332 controls the onboard power amplifiers
- * Full-, half and micro stepping are provided by the local firmware
- * Up to 16 micro steps per full-step can be made.

Output Drivers

- * VME321 drives four sets of four phases, 8x 2-phase, 4x 3-phase or 4x 4-phase stepper motors can be controlled.
- * Each phase is capable of delivering 3Amps @ 55Volts
- * Bi-polar driving circuits in constant current driving mode.
- * Over-current and thermal protected
- * Eight optical isolated home-inputs provide means for feedback on home position.

Ordering Information

- * **VME1321/T01** 3U Stepper motor controller with onboard amplifiers
- * **VME321/T01** 6U 4x4 phase stepper motor controller with onboard amplifiers
- * **VME(1)321/SW** APIS based software
- * **VME(1)321/MAN** manual on paper



AcQ International BV
Alanenweg 6
5342 PV OSS
The Netherlands

Phone +31 (0)412 64 19 22
Internet www.acq.nl
E-mail info@acq.nl

vme321_v3_ds