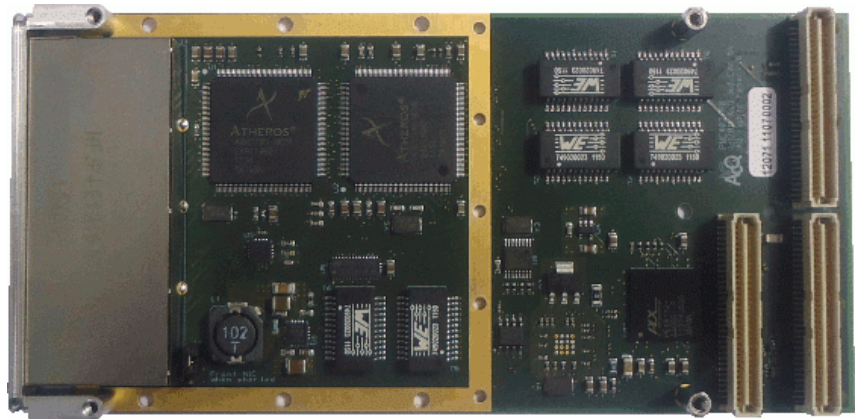


PMC402

Gigabit Ethernet Switch PMC (unmanaged)



A 9-port Gbit Ethernet unmanaged switch PMC including NIC (Network Interface Controller) for use in embedded computer applications. Typical applications are media streaming, data transfer and logging, network test equipment, control and monitoring, stand-alone switch and many others. Applying the PMC402 in an embedded computer system can prevent the use of separate switches in the network.

The PMC402 contains two connected Atheros AR8328N Gb Ethernet switches and one Intel 82574IT Ethernet controller as NIC. The NIC is transparently connected to the PMC PCI interface by a PLX PCI to PCIe bridge. The NIC may be connected to one of the switches by a configuration jumper. This offers the most flexible and optimized configuration for applications which use the rear connections and/or the front connections.

The PMC402 contains a configuration device for "unmanaged" applications. Other project specific configurations are possible on request.

For the NIC a bootflash chip is available in which a bootloader may be programmed (bootloader not included).

The PMC402 features four RJ45 copper connectors with link and activity indicators. The other four Ethernet connections are available through rear I/O. The PIM402 PIM-module is available for rear I/O connection to a PIM carrier board.

The PMC402 is available in standard temperature, 0 .. +60°C and industrial temperature, -40 .. +85°C.

Driver support for the Intel 82574IT is included in commonly used operating systems, like Windows, Linux and VxWorks.

Features:

- > Single slot PMC (IEEE 1386.1-2001) with front I/O and rear I/O
- > PCI specification 3.0, 32bit, 33/66MHz, 3.3V or 5V signalling
- > Switch PMC with eight 10/100/1000 Ethernet ports with RJ45 connector
- > One Intel 82574IT Ethernet controller connected to the PCI (as NIC)
- > IEEE802.3 Ethernet interface for 1000BASE-T, 100BASE-T and 10BASE-T applications
- > Four RJ45 connectors on the front
- > Four RJ45 connectors through rear I/O and PIM
- > Combined activity/Link LED per port

> Driver support available for commonly used operating systems

Features

- * Single slot PMC (IEEE 1386.1-2001) with front I/O and rear I/O
- * PCI specification 3.0, 32bit, 33/66MHz, 3.3V or 5V signalling
- * Switch PMC with eight 10/100/1000 Ethernet ports with RJ45 connector
- * One Intel 82574IT Ethernet controller connected to the PCI (as NIC)
- * IEEE802.3 Ethernet interface for 1000BASE-T, 100BASE-T and 10BASE-T applications
- * Four RJ45 connectors on the front
- * Four RJ45 connectors through rear I/O and PIM
- * Combined activity/Link LED per port

Power

- * Supply: 3.3V from PMC
- * Power dissipation: 4W (typical)

Details

- * 10/100/1000 Base-T IEEE802.3 compliant.
- * Supports IEEE 802.3az
- * Supports 9kBytes jumbo frames
- * Supports STP/RSTP
- * Configurations:
 - * For use in an application with four rear connections, NIC and two front connections, the PMC402 offers non-blocking communication.
 - * For use in an application with four front connections, NIC and two rear connections, the PMC402 offers also non-blocking communication.
 - * Other configurations with more connections may have some blocking communication, depending on the traffic.

Controllers and Software

- * PLX PCI to PCI Express bridge PEX8112
- * Intel 82574IT Gigabit ethernet controller
- * Two Atheros AR8328N Gigabit switches
- * Driver support available for commonly used operating systems. Contact us for further specific information regarding operating system and driver support.

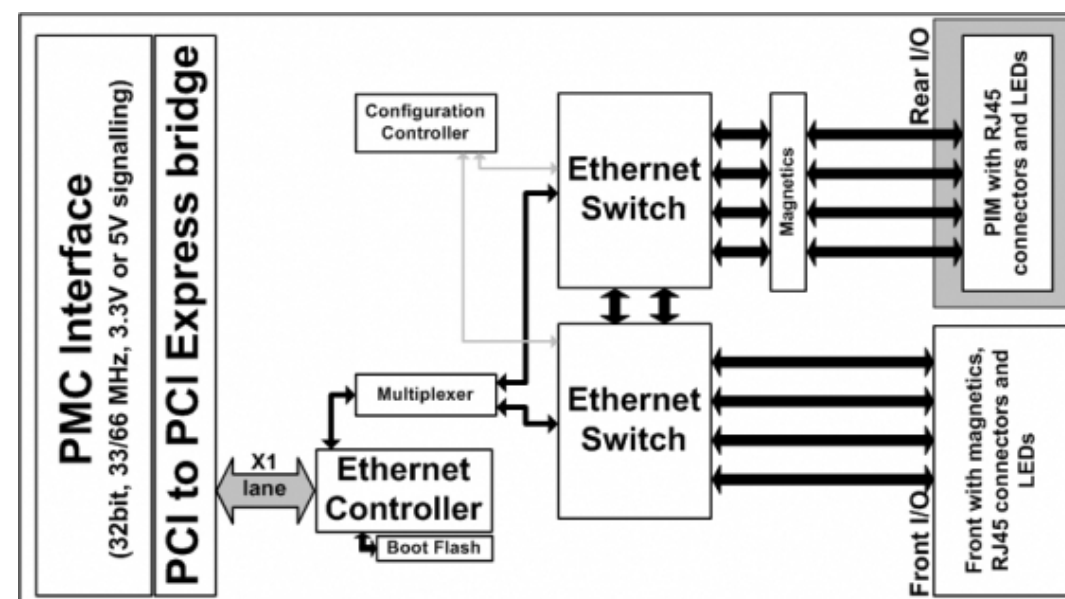
Environmental

Environmental

- * Operating temperature of components: 0 to +60°C (standard) or -40 to +85°C (industrial)
- * Storage temperature: -40 to +85°C
- * Humidity: 10% to 90% relative humidity for operating and storage
- * RoHS compliant

Ordering Information

- * PMC402/T01 9-port Gigabit Ethernet unmanaged switch PMC including NIC, standard operating temperature, 0 to +60°C
- * PMC402/T02 9-port Gigabit Ethernet unmanaged switch PMC including NIC, industrial operating temperature, -40 to +85°C
- * PIM402/T01 PIM for PMC402 rear I/O connection, industrial operating temperature, -40 to +85°C



AcQ  International

AcQ International BV
Alanenweg 6
5342 PV OSS
The Netherlands

Phone +31 (0)412 64 19 22
Internet www.acq.nl
E-mail info@acq.nl

pmc402_v4_ds