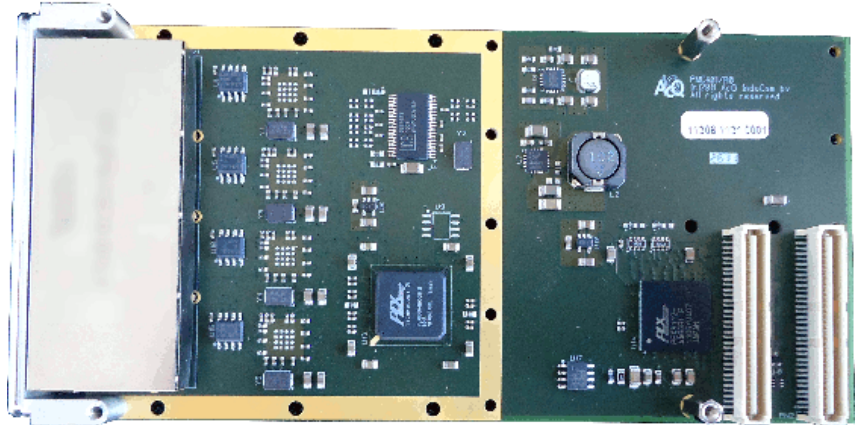


## PMC401

# Gigabit Ethernet Controller PMC



A quad (4-port) 10/100/1000 Mbit Ethernet PMC based controller for use in embedded applications. The PMC401 contains four Intel 82574IT, low power single port Gigabit Ethernet controllers.

These controllers offer a lot of standard Ethernet related features, plus extra features like support for hardware-based time stamping, jumbo frames and host offloading features like IPv4 and IPv6 checksum.

The Ethernet controllers are transparently connected to the PMC PCI interface via a PLX PCI to PCIe bridge and PCIe switch. The PMC PCI interface is converted into a one lane 2.5Gbps PCIe for each controller.

The front panel has four RJ45 copper connectors with LEDs for a combined link/activity indication.

For each Ethernet controller is a bootflash chip available in which a bootloader may be programmed (bootloader not included).

The PMC401 is available in standard temperature, 0 to +60°C and industrial temperature, -40 to +85°C.

Driver support is included in most commonly used operating systems, contact us for further specific information regarding operating system and driver support.

### Features:

- > Single slot PMC (IEEE 1386.1-2001) with front I/O (no rear I/O)
- > PCI specification 3.0, 32bit, 33/66MHz, 3.3V or 5V signalling
- > Four auto negotiating 10/100/1000 Ethernet ports, RJ45 copper connector with built-in magnetics
- > IEEE802.3 Ethernet interface for 1000BASE-T, 100BASE-T and 10BASE-T applications
- > DMA engine
- > Boot Flash for each Ethernet controller
- > Host offloading features, like IPv4 and IPv6 checksum offload support
- > 9kB jumbo frames support
- > Combined Activity/Link LED per port
- > Software support available in commonly used operating systems
- > Support for hardware-based time stamping of IEEE1588 and 802.1as packets enabling high precision time synchronization over Ethernet
- > Combination of Conduction Cooled PMC and Standard PMC with front panel bezel

## Features

- \* Single slot PMC (IEEE 1386.1-2001) with front I/O (no rear I/O)
- \* PCI specification 3.0, 32bit, 33/66MHz, 3.3V or 5V signalling
- \* Four auto negotiating 10/100/1000 Ethernet ports, RJ45 copper connector with built-in magnetics
- \* IEEE802.3 Ethernet interface for 1000BASE-T, 100BASE-T and 10BASE-T applications
- \* Combined Activity/Link LED per port
- \* Boot Flash for each Ethernet controller
- \* Support for hardware-based time stamping of IEEE1588 and 802.1as packets enabling high precision time synchronization over Ethernet
- \* Host offloading features
- \* 9kB jumbo frames support
- \* DMA engine

## Power

- \* Supply: 3.3V from PMC
- \* Power dissipation GbE (typical): 4.58W (TBC)
- \* Power dissipation 10/100MbE (typical): 2.94W (TBC)

## Details

- \* Ethernet interface for 1000BASE-T, 100BASE-T and 10BASE-T
- \* MDI (copper) standard IEEE802.3 (802.3, 802.3u, 802.3ab)
- \* 40kB packet buffer size
- \* Support for packets up to 9018 bytes (jumbo frames)
- \* IEEE802.3x and IEEE802.3z compliant flow control support
- \* TCP/UDP, IPv4 and IPv6 Checksum Offloading
- \* TCP Segmentation/Transmit Segmentation Offloading
- \* IEEE802.1q VLAN support
- \* IEEE802.1q advanced packet filtering
- \* MAC/PHY control status

## Environmental

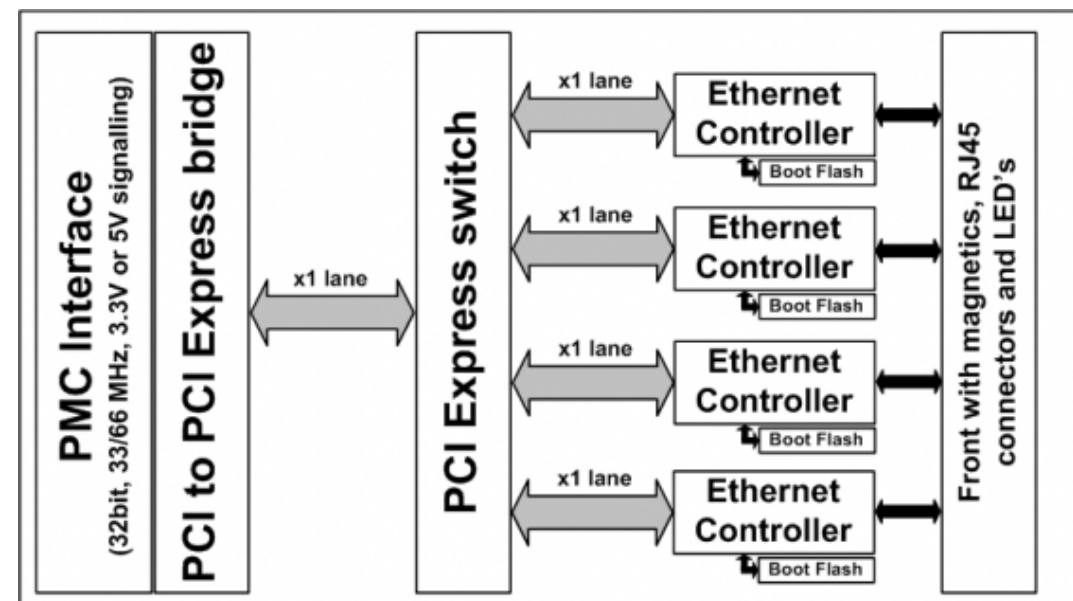
- \* Operating temperature 0 to +60°C or -40 to +85°C
- \* Storage temperature -40 to +85°C
- \* Humidity: 10% to 90% relative humidity for operating and storage
- \* RoHS compliant

## Controllers and Software

- \* PLX PCI to PCI Express bridge PEX8112
- \* PLX PCI Express switch PEX8606
- \* Intel 82574IT Gigabit ethernet controller
- \* Software support available in commonly used operating systems

## Ordering Information

- \* **PMC401/T01** Quad port 10/100/1000 Mbit Ethernet PMC based controller, standard operating temperature, 0 to +60°C
- \* **PMC401/T02** Quad port 10/100/1000 Mbit Ethernet PMC based controller, industrial operating temperature, -40 to +85°C



AcQ International BV  
Alanenweg 6  
5342 PV OSS  
The Netherlands

Phone +31 (0)412 64 19 22  
Internet [www.acq.nl](http://www.acq.nl)  
E-mail [info@acq.nl](mailto:info@acq.nl)