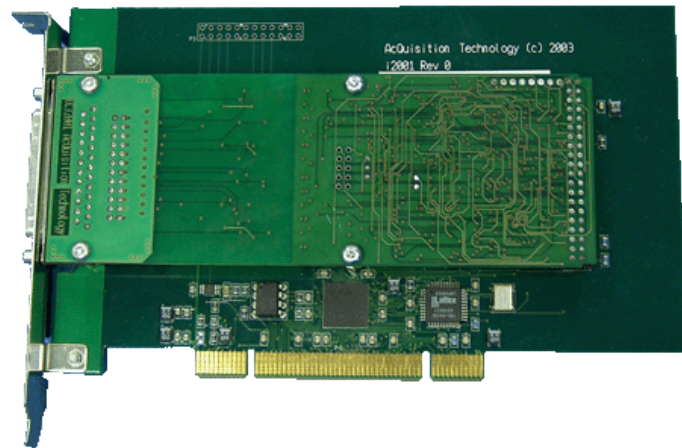


PCI390

RTD Measurement for PCI



The PCI390 features six 2-, 3-, or 4-wire high-accuracy RTD measurement channels. Each channel has programmable alarm limits on which an interrupt can be issued. The local DSP (TMS320C203) performs linearization, auto-calibration and alarm-limit checking. Sensor-data is available in °C, °F, K and Ohms. All inputs are optically isolated from the system.

Features:

- > Sigma/Delta ADC with 16-bit resolution
- > PT100 linearization (IEC751-1983, DIN43760-1980, JIS C1604-1989)
- > Programmable minimum/maximum value alarms
- > Auto calibration
- > No potentiometers
- > Analog front-end is optically isolated
- > On-board DC/DC converter for isolated power supply
- > Data acquisition handled by TMS320C203 DSP, transparent for user
- > Measurement values continuously updated in dual-ported SRAM
- > Up to 7.5Hz output update rate
- > PCI9050 Controller by PLX (PCI 2.1 compliant)
- > Measurement range: -200°C .. +850°C

PCI Interface

* The PCI390 has a PCI Specification 2.2 compliant target interface and uses a PCI9030 PCI Bus Target Interface Chip by PLX Technology Inc.

DSP

- * TMS320C203 DSP
- * Sigma-delta ADC
- * Autonomous scanning
- * Auto calibration
- * 133 ms acquisition time for single channel, each additional channel adds 66 ms.
- * Programmable alarm limits with optional interrupt

Linearization

- * Local linearization according to:
- * IEC751-1983
- * DIN43760-1980
- * JISC1604-1989

Input Characteristics

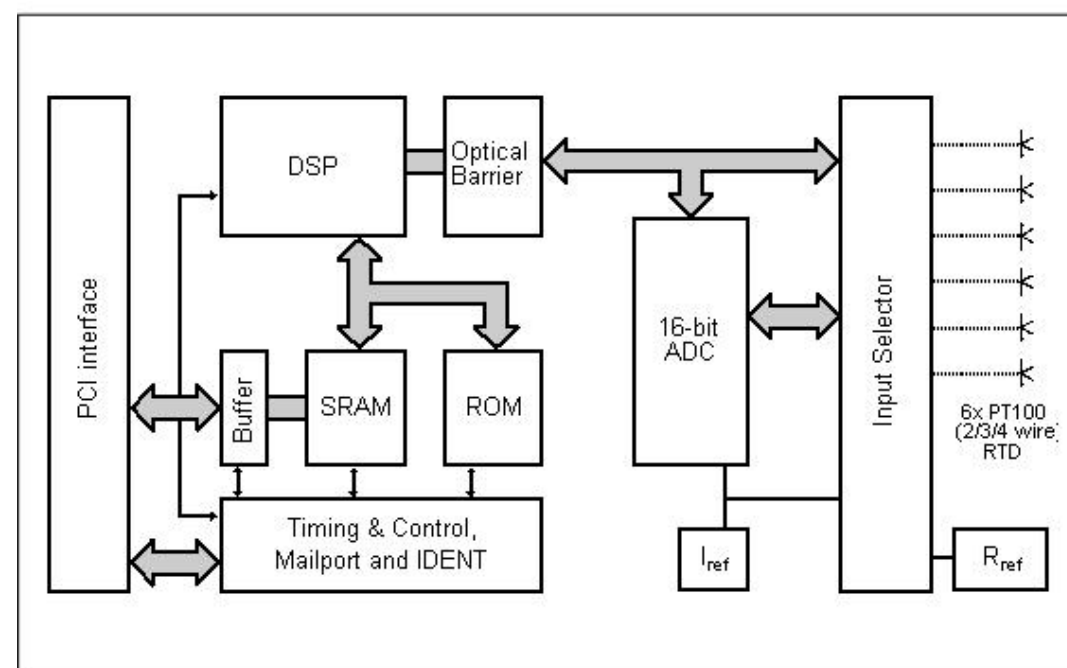
- * Optical isolation
- * Supports 2-, 3-, and 4- wire PT100, PT200, PT500 and PT1000 devices.

RTD Types

- * Device/Excitation Current
- * PT100/1000uA
- * PT200/500uA
- * PT500/200uA
- * PT1000/100uA

Ordering Information

- * **PCI390/T01** 6-channel PT100 precision measurement
- * **PCI390/T02** 6-channel PT200 precision measurement
- * **PCI390/T03** 6-channel PT500 precision measurement
- * **PCI390/T04** 6-channel PT1000 precision measurement
- * **PCI390/SW** APIS based software
- * **PCI390/MAN** manual on paper



AcQ  International

AcQ International BV
Alanenweg 6
5342 PV OSS
The Netherlands

Phone +31 (0)412 64 19 22
Internet www.acq.nl
E-mail info@acq.nl