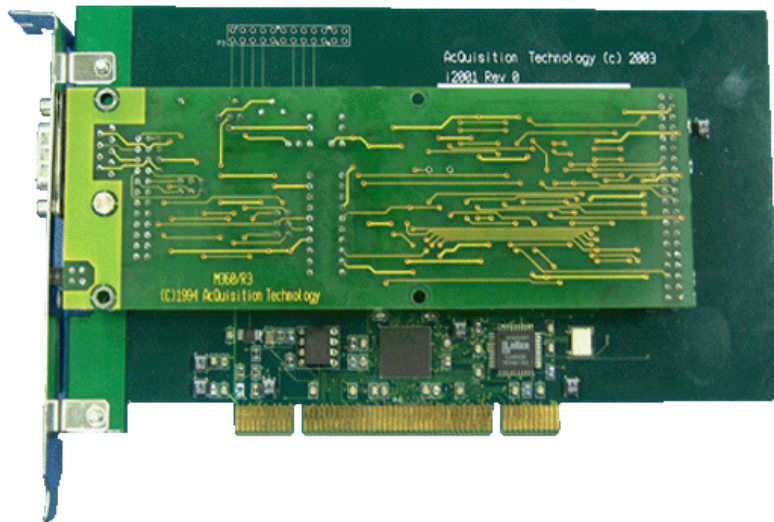


PCI360

CANbus Controller Standard Interface



The PCI360 CANbus controller PCI card is based on the SJA1000. The SJA1000 provides an interface to the popular CANbus that support both standard (11-bit) and extended (29-bit) identifier messages. LEDs provide diagnostics information. The CAN network is a serial communication protocol which efficiency supports distributed real-time control with a high level of reliability.

Features:

- > Multi-master architecture on the CAN network
- > CAN access priority determined by message identifier
- > Programmable network clock frequency
- > Data rate up to 1 Mbps
- > Status indication by two LEDs at front
- > Transmit and receive FIFO buffer
- > Full interrupt capabilities
- > High-speed isolated ISO11898 compliant transceiver
- > TTL level signals Tx0, Tx1, Rx0 and Rx1 available on output for custom physical network interface
- > Supports both 11-bit and 29-bit identifier fields

PCI Interface

* The PCI360 has a PCI Specification 2.2 compliant target interface and uses a PCI9030 PCI Bus Target Interface Chip by PLX Technology Inc.

Controller

* SJA1000 supports CANbus rev. 2.0a (11-bit identifier) and rev. 2.0b (29-bit identifier).
* In rev. 2.0a mode, SJA1000 is software compatible to the PCA82C200.

Media Interfacing

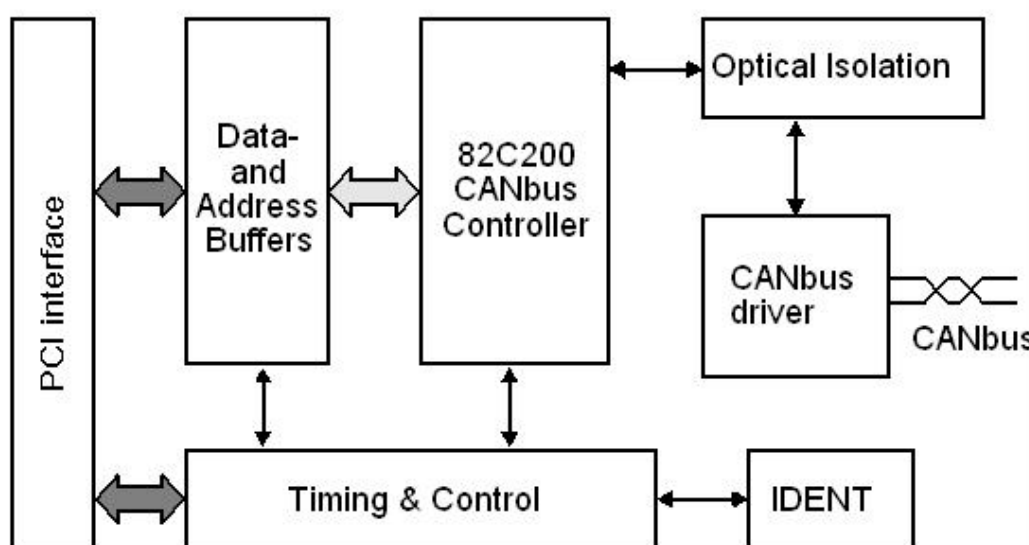
* Signal available at front in the following formats:
* ISO11898 standard using the PCA82C250T transceiver
* RS485
* TTL

Network Monitoring

* LEDs provide diagnostic and status monitoring capabilities.

Ordering Information

* **PCI360/T01** PCI card
* **PCI360/SW** APIS based software
* **PCI360/MAN** manual on paper



AcQ  International

AcQ International BV
Alanenweg 6
5342 PV OSS
The Netherlands

Phone +31 (0)412 64 19 22
Internet www.acq.nl
E-mail info@acq.nl