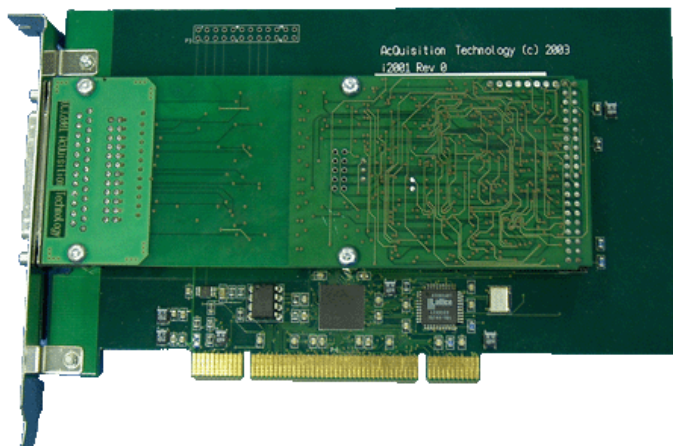


## PCI323

# 6 Channel Encoder Input Controller



The PCI323 Quadrature Incremental Encoder Interface is designed to interface with up to six quadrature incremental encoders. This is an ideal solution for all applications where several encoders must be connected with a maximum of flexibility and a minimum of overhead.

### Features:

- > Executes local firmware from ROM or custom firmware downloaded by the host
- > Mailbox with polling and/or host interrupt, local interrupt mechanism
- > Easy host interface, PCI321/PCI322 alike
- > 32 bit counter for each encoder input
- > Index signals can be configured for detection of rising, falling or any edge
- > Index can be used to load the corresponding counter with a preset value
- > Counter value has one LSB uncertainty during movement and is accurate at ease

## PCI Interface

\* The PCI323 has a PCI Specification 2.2 compliant target interface and uses a PCI9030 PCI Bus Target Interface Chip by PLX Technology Inc.

## Controller

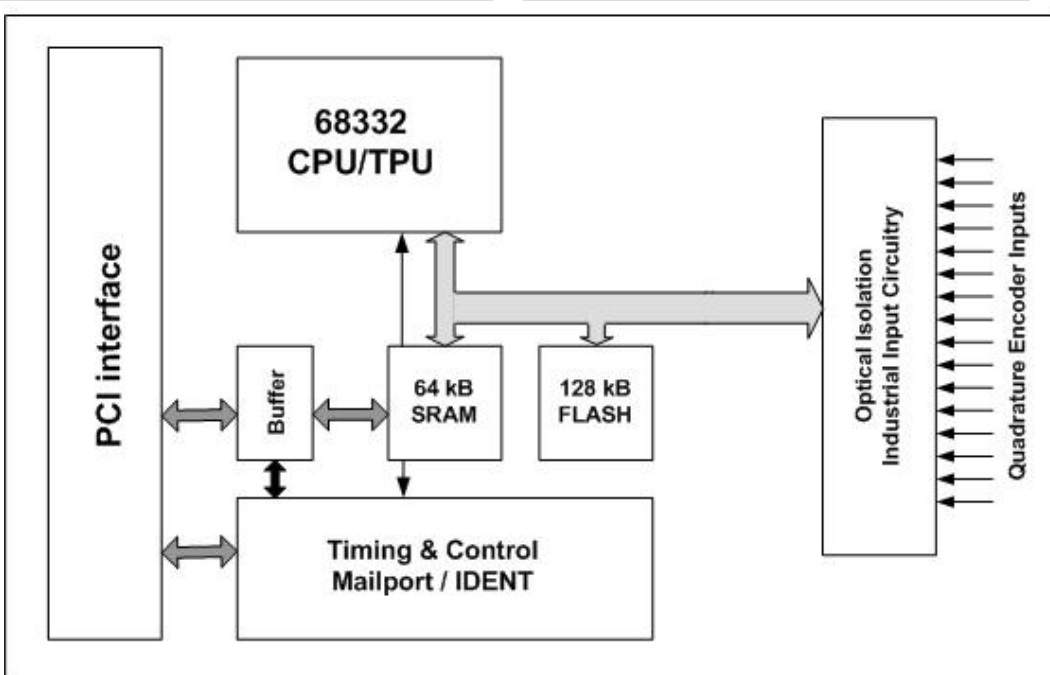
\* The PCI323 is based on an MC68332 local controller.  
\* The MC68332 handles high-level commands and provides a very flexible and versatile software interface for autonomous control over complex tasks.

## Input Circuit

\* The industrial inputs are optical isolated and the PCI323 has good noise immunity.  
\* A slotted 2-channel out-of-phase square-waved Quadrature Incremental Encoders can be connected.  
\* This interfaces, in index-mode, with up to four encoders with two quadrature channels and a index channel or in non-index-mode, with up to six encoders with two quadrature channels.

## Ordering Information

\* **PCI323/T01** PCI card  
\* **PCI323/SW** APIS based software  
\* **PCI323/MAN** manual on paper



AcQ  International

AcQ International BV  
Alanenweg 6  
5342 PV OSS  
The Netherlands

Phone +31 (0)412 64 19 22  
Internet [www.acq.nl](http://www.acq.nl)  
E-mail [info@acq.nl](mailto:info@acq.nl)