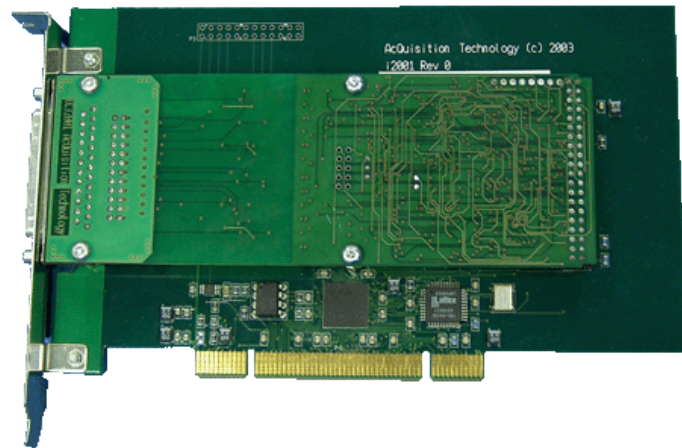


## PCI322

# Stepper Motor Controller for PCI



The PCI322 Intelligent Stepper Motor Controller is designed to drive external amplifiers. This is an ideal solution for all applications where stepper motors must be controlled with a maximum of flexibility and a minimum of overhead. The local processor handles all high-level commands to provide maximum control for both straightforward as very complex applications

### Features:

- > Controls up to two external stepper motor amplifiers independently
- > Firmware compatible with PCI321 intelligent stepper motor controller with on-board amplifiers.
- > Interrupts on position breakpoint, trajectory complete and command complete
- > Optical isolated RS422 interface with on-board isolated power supply
- > Step, direction and three general purpose signals available per channel
- > One home sensor input per channel (optical isolated)
- > Step-rates up to 50kHz
- > Programmable acceleration from 50Hz/sec to 5,000kHz/sec.
- > PCI9050 Controller by PLX (PCI 2.1 compliant)

## PCI Interface

\* The PCI322 has a PCI Specification 2.2 compliant target interface and uses a PCI9030 PCI Bus Target Interface Chip by PLX Technology Inc.

## Controller

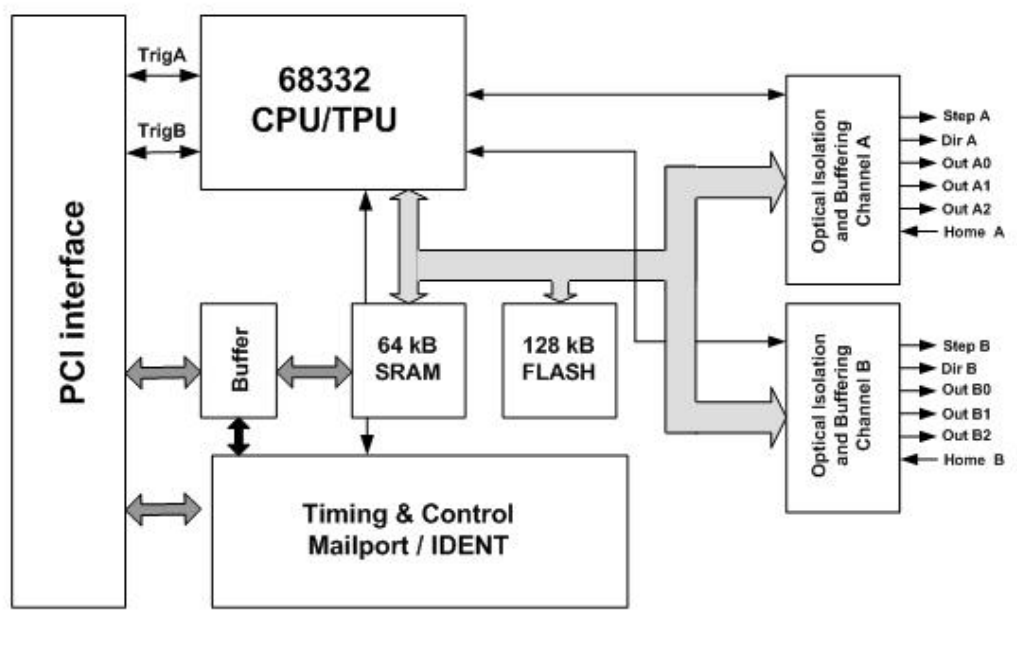
\* MC68332 executes local software  
\* Very flexible and versatile software interface  
\* Autonomous control over complex tasks

## Output Drivers

\* All the signals on the PCI322 are industrial (open-collector, 28V/20mA)  
\* Step- and direction are RS422 buffered for noise immunity  
\* For enhanced external amplifier control, three general purpose outputs and one home-input are available per channel

## Ordering Information

\* **PCI322/T01** PCI card  
\* **PCI322/SW** APIS based software  
\* **PCI322/MAN** manual on paper



AcQ  International

AcQ International BV  
Alanenweg 6  
5342 PV OSS  
The Netherlands

Phone +31 (0)412 64 19 22  
Internet [www.acq.nl](http://www.acq.nl)  
E-mail [info@acq.nl](mailto:info@acq.nl)