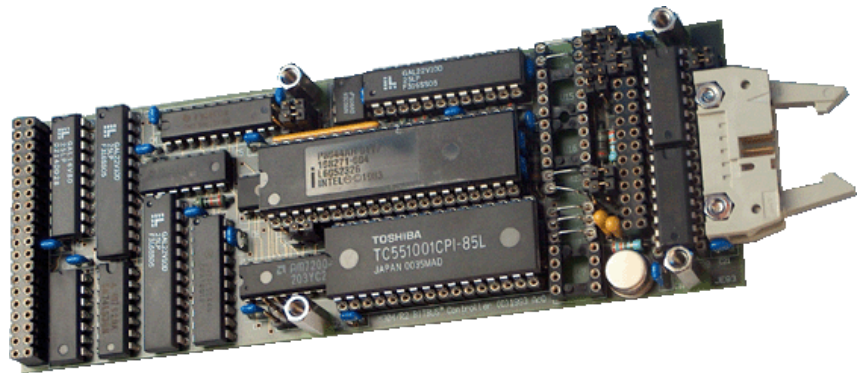


M304

## BITBUS Controller M-module



The M304 BITBUS Controller M-module, featuring the i8044 BITBUS enhanced microprocessor provides all necessary functions to implement a BITBUS master or slave node. The resident firmware includes an extensive Remote Access and Control (RAC) command set, to allow specific functions to be performed on the remote nodes.

The BITBUS allows up to 250 nodes to be easily interconnected over a physically distributed domain. Distribution capability ranges from 30 to thousands of meters.

The different modes of operation are optimized for a wide range of applications covering the spectrum from high speed servo motor control in robotics, to long distance environmental control.

### Features:

- > Intel i8044 BEM (Bitbus Enhanced Microprocessor)
- > Command and status registers mapped
- > Synchronous BITBUS interconnect at 3 bitrates of up to 2.4 Mbps
- > Optical isolation according to VDE884
- > Optional isolated supply (+12VDC) supplied by the network
- > 10 pole flatcable connector at module front
- > Identification EEPROM

## M-module Compliancy

- \* A08/D16 (8-bit address and 16-bit data)
- \* INTA (software end-of-interrupt)
- \* IDENT (identification EEPROM)

## Controller

- \* Intel i8044 BEM ( BITBUS Enhanced Microprocessor)
- \* 256 bytes deep transmit and receive FIFOs

## Network Configuration

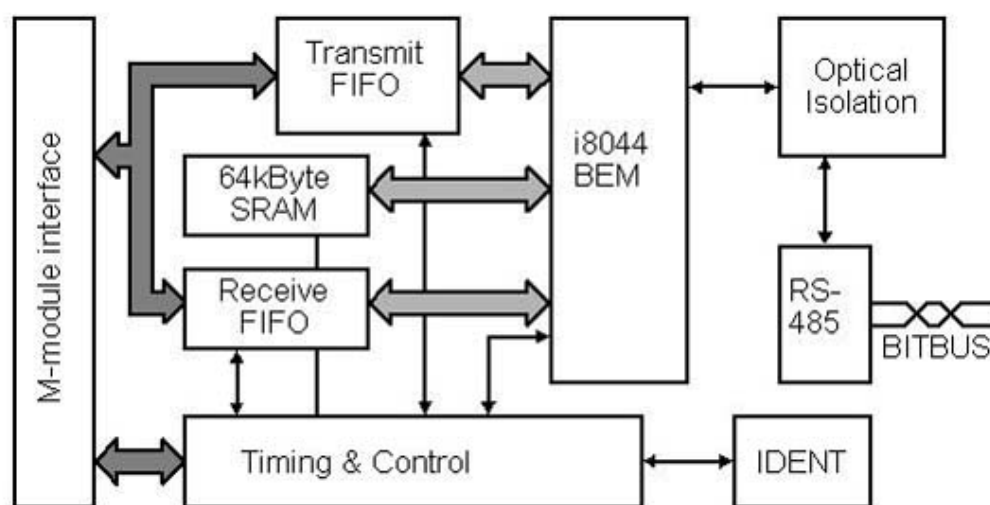
- \* Up to 250 nodes can be easily interconnected over a physically distributed domain
- \* RS485 transceivers
- \* 10 pole flatcable connector at module front

## Media Interfacing

- \* Supports RS485 optical isolation according to VDE884

## Ordering Information

- \* **M304/T01** M-module
- \* **M304/SW** APIS bases software
- \* **M304/MAN** manual on paper



AcQ  International

AcQ International BV  
Alanenweg 6  
5342 PV OSS  
The Netherlands

Phone +31 (0)412 64 19 22  
Internet [www.acq.nl](http://www.acq.nl)  
E-mail [info@acq.nl](mailto:info@acq.nl)

m304\_v5\_ds