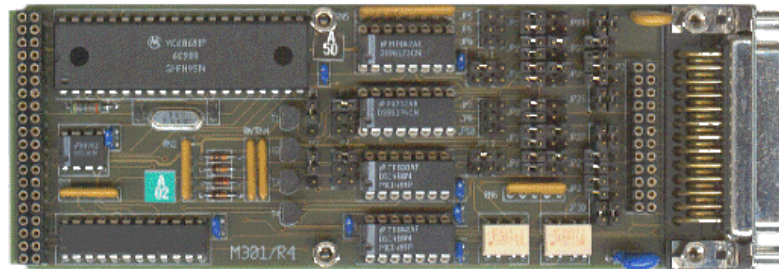


M301

Dual Serial Controller M-module



The M301 provides two asynchronous serial interfaces based upon the MC68681 DUART. The line interface of a channel can be configured as RS232, RS422, RS485 or current-loop (active or passive). The RS232 and RS485 transceiver devices are commonly available and are mounted in sockets for easy maintenance.

Features:

- > 1 Mbits/sec maximum data rate
- > RS232 / RS422 / RS485 and 20mA current-loop (TTY) modes independently selectable per channel
- > Hardware handshake (RTS/CTS) for point-to-point transmission modes (RS232 / RS422)
- > Line-break detection and generation
- > Baudrates independently programmable per channel

M-module Compliancy

- * A08/D16 (8-bit address and 16-bit data)
- * INTA (software end-of-interrupt)
- * INTC (interrupt vector transfer with hardware-end-of-interrupt)
- * IDENT (identification EEPROM)

Controller

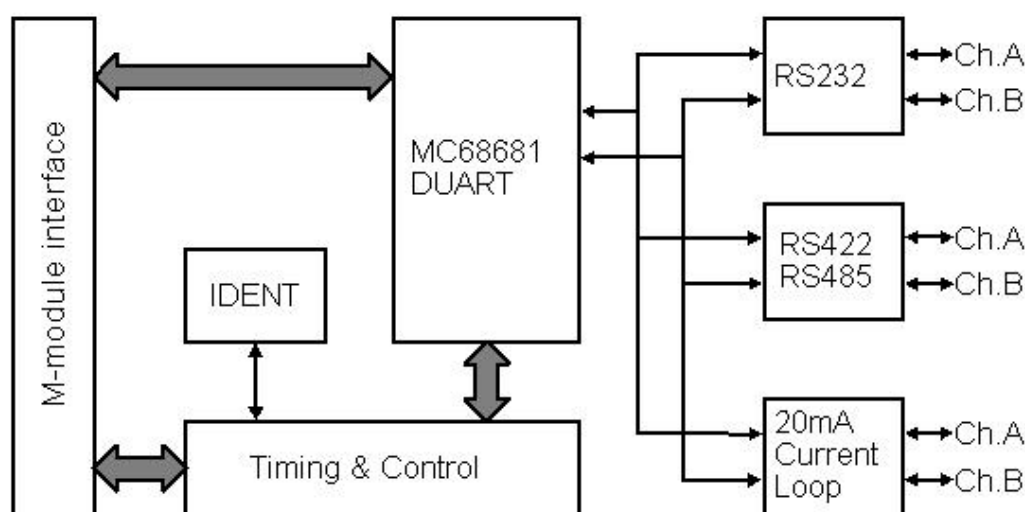
- * MC68681 DUART
- * Features two asynchronous communication channels
- * Local 3-byte FIFO for buffering of transmitted and received characters
- * Maximum 1 Mbps data rate per channel

Media Interfacing

- * Each channel independently configurable as: RS232, RS422, RS485 or current-loop (active and passive)
- * All drivers/receivers are placed in a socket and commonly available

Ordering Information

- * **M301/T01** M-module
- * **M301/SW** Apis based software
- * **M301/MAN** manual on paper



AcQ  International

AcQ International BV
Alanenweg 6
5342 PV OSS
The Netherlands

Phone +31 (0)412 64 19 22
Internet www.acq.nl
E-mail info@acq.nl

m301_v3_ds