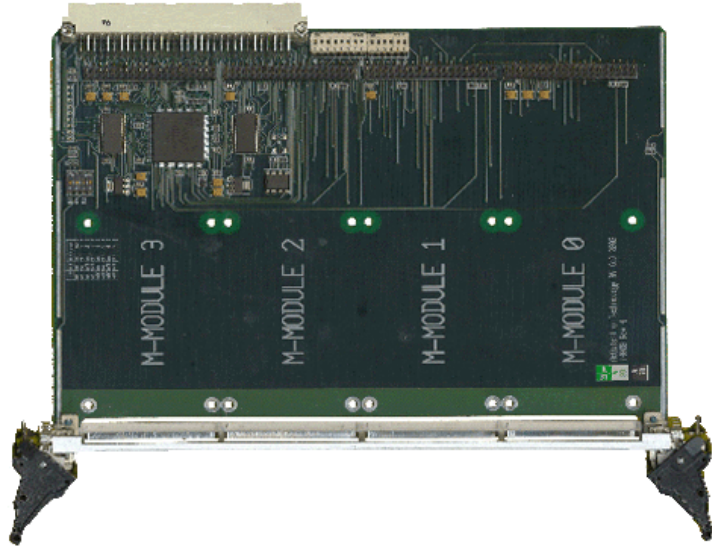


i4000

M-module Carrier for VMEbus (6U)



The i4000 is a 6U form factor M-module carrier for the VMEbus and forms the basis of a flexible I/O system. It offers the user a means of integrating a mix of M-modules in a VMEbus system. Four M-module mounting sockets are provided by this carrier.

The interrupt controller on the i4000 has an interrupt vector register for each M-module interface. If a module is able to generate its own vector, the i4000 simply passes the interrupt request to the VMEbus. Interrupts for each M-module can be masked separately. The level on which an interrupt is issued to the VMEbus, is selectable by setting a DIP-switch. This is valid for all four M-module interfaces.

The base address of the i4000 is configurable by DIP-switches, which maps it in the Standard (A24) or Short I/O (A16) space of the VMEbus. These DIP-switches are accessible for configuration even when all modules are mounted.

Features:

- > Features 4 M-module slots
- > Occupies only one VMEbus slot
- > Selectable short or standard VMEbus addressing (A16/A24) with byte (even/odd) or word data transfers (D08(E/O)/D16)
- > Programmable interrupt controller with D08(O) interrupter characteristics
- > Separate interrupt vector available for each (M-module) slot
- > Peripheral I/O connections on front (M-Module)

VMEbus Compliance

- * A24/A16, D16/D08(EO)
- * D08(O) (DYN) interrupt vector (vector unique per module)
- * I(x) interrupt level

M-module Compliance

- * 4 M-module slots (2-row 40-way connectors to carrier)
- * A08, D16/D08 address - and databus width
- * INTA/INTB/INTC supported
- * Interrupt enable/disable per M-module slot
- * Programmable interrupt vector per slot

Connections

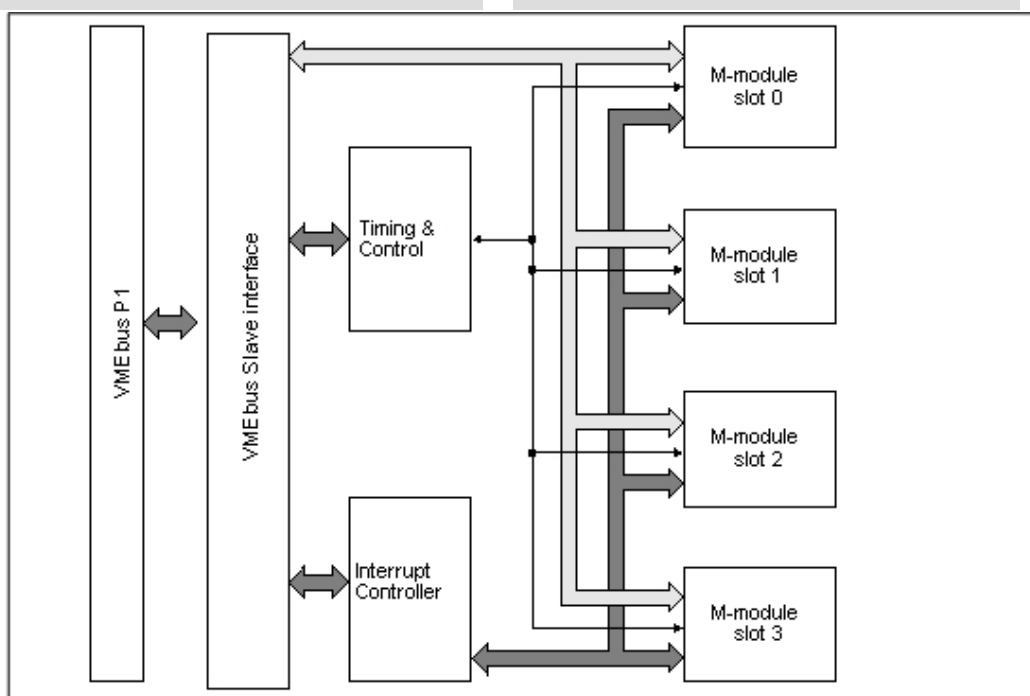
- * P1 to VMEbus
- * Four M-module interface connectors

Software Support

- * APIS platform for OS-9, Linux, QNX, Windows, Solaris and DOS
- * Other platforms on request

Ordering Information

- * **i4000/T01** M-module carrier without P2 connector
- * **i4000/BBIS** subroutine module for OS-9
- * **i4000/SW** APIS based software
- * **i4000/MAN**, manual on paper
- * **i4000/DSUB** D-sub bracket



AcQ International BV
Alanenweg 6
5342 PV OSS
The Netherlands

Phone +31 (0)412 64 19 22
Internet www.acq.nl
E-mail info@acq.nl

i4000_v5_ds