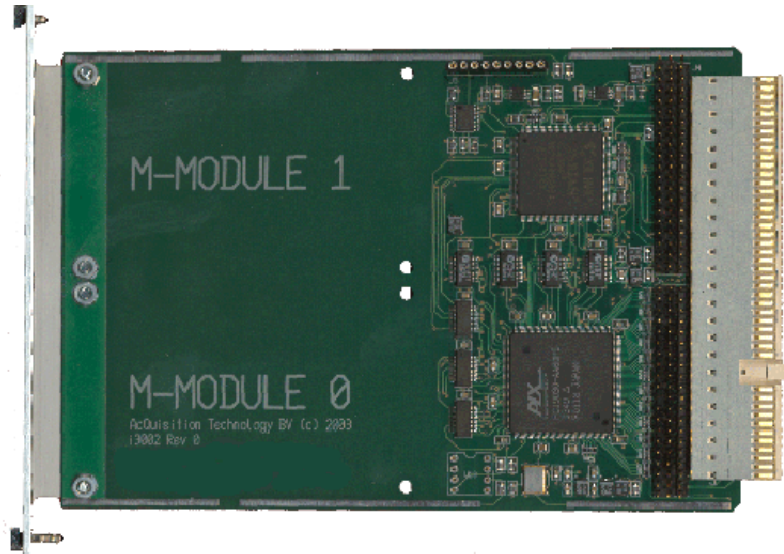


i3002

M-module Carrier for CompactPCI (3U)



The i3002 provides a high-performance CompactPCI bus gateway to the M-module interface. The i3002 has a 3U form factor. Two M-modules can be mounted on the i3002. The M-module interface of the i3002 complies with the M-module specification. The M-module interface feature A8, A24, D16 and D32 access types.

The PCI interface is PCI Specification 2.2 Compliant, slave only. The PCI to M-module bridge is implemented by using the PCI9030 PCI Bus Target Interface Chip by PLX Technology Inc. The i3002 will be delivered with special guides of the mark Schroff. Other guides are available on request.

The board will be delivered with special low-profile guides (Schroff) to replace the standard guides in compatible racks.

The dimensions of the board are 111.7 x 160mm.

Features:

- > 5V and 3.3V signalling voltage (VIO) supported
- > 5V only power supply
- > 33MHz PCI data bus
- > Two M-module Interfaces (A08/A24, D16/D32, TRIGI, TRIGO)
- > INTA software-end-of interrupt
- > CompactPCI Specification 2.0 R3.0 Compliant

M-module Compliance

- * 3-row M-module Support
- * A08/A24, D16/D32, TRIGI, TRIGO
- * INTA software end-of-interrupt

PCI Compliance

- * PCI spec. 2.0 R3.0 Compliant
- * PCI spec 2.2 Compliant
- * 5V and 3.3V signalling voltage (VIO) supported
- * 5V only power supply
- * 33MHz PCI data bus

Controller

- * PCI9030 Target Interface Chip from PLX Technology Inc

PXI

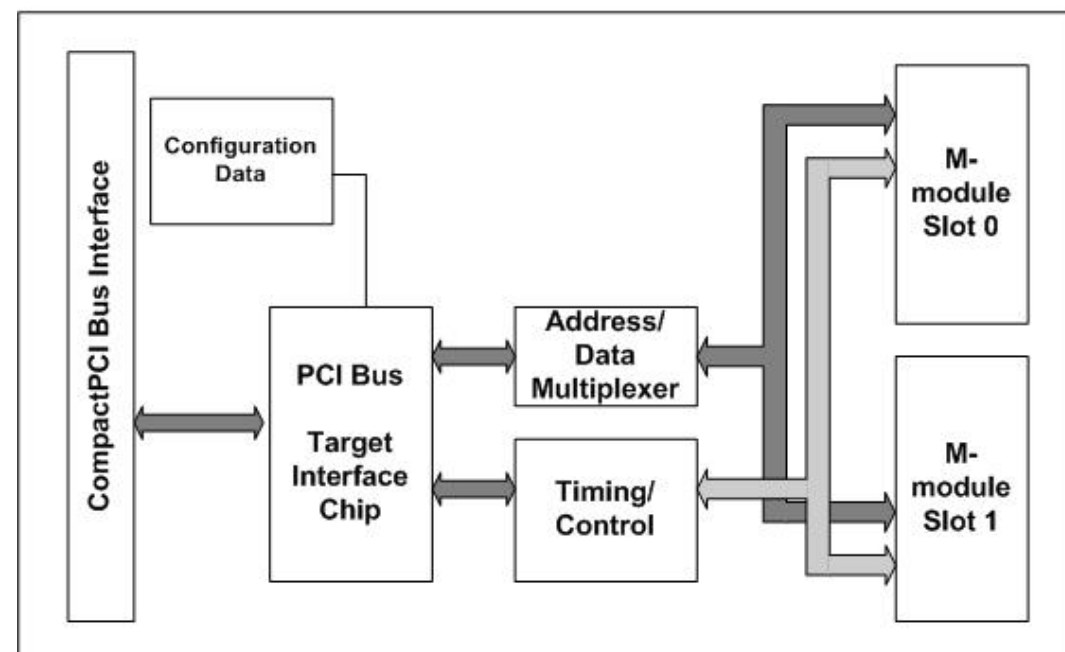
- * Five trigger lines compliant with PXI Specification 2.1
- * Routing of PXI trigger lines to M-module interface TRIGA, TRIGB

Board Support

- * APIS platform support for DOS, Linux/i386 2.2 and 2.4 kernel, QNX, Windows 95/98/2000/XP
- * Other platforms on request

Ordering Information

- * **i3002/T01** i3002 dual M-module carrier for CompactPCI
- * **i3002/T02** i3002 dual M-module carrier for CompactPCI (extended temperature -20°C/+70°C)
- * **i3002/T03** i3002 dual M-module carrier for CompactPCI (industrial temperature -40°C/+85°C)
- * **i3002/SW** APIS based software for i3002
- * **i3002/MAN** i3002 manual on paper



AcQ International BV
Alanenweg 6
5342 PV OSS
The Netherlands

Phone +31 (0)412 64 19 22
Internet www.acq.nl
E-mail info@acq.nl

i3002_v5_ds