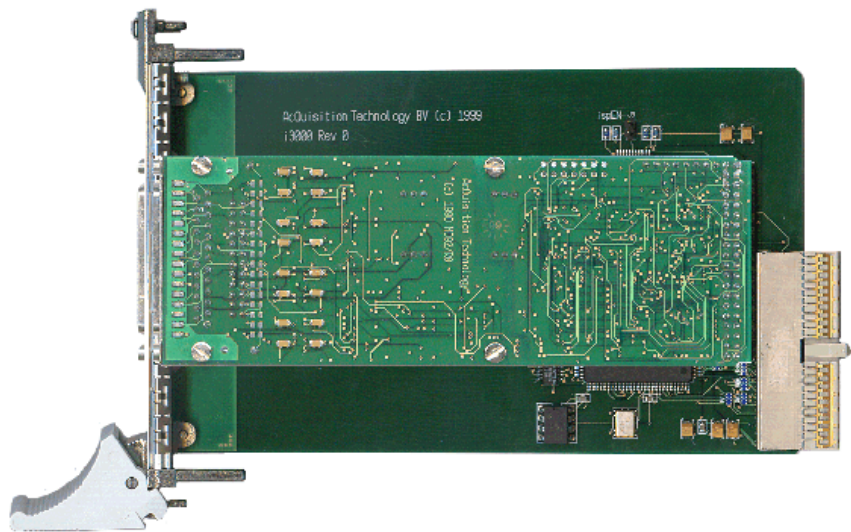


CPCI392

16 Channel ADC for CompactPCI



The CPCI392 16-Channel Common-Mode Input ADC card is very well suited to be used in applications in which autonomous signal conversion is an issue, as well as in standard mid-range applications. Enabled channels are scanned at maximum rate and conversion results are stored in shared memory. A local DSP performs the data acquisition and calibration transparent for the host.

This CompactPCI card is available in a 3U, Dual 3U and a 6U form factor.

Features:

- > 100kSPS ADC with 16-bit or 12-bit resolution
- > Channels can be enabled/disabled individually
- > No potentiometers
- > 16 single ended input channels
- > On-board filtering with 1kHz cut-off frequency
- > Analog front-end is optically isolated
- > On-board DC/DC converter for isolated power supply
- > Data acquisition handled by TMS320C203 DSP, transparent for user
- > Calibration data stored in EEPROM
- > Measurement data continuously updated in dual-ported SRAM
- > Update rate up to 50kHz

Input Characteristics

- * The CPCI392 has 16 common-mode inputs.
- * The inputs are optically isolated and have a second order input filter with 1kHz cut-off frequency.
- * The input ranges are software programmable.
- * Unipolar input range:
0V to +5V / 0V to +10V
- * Bipolar input range:
-5V to +5V / -10V to +10V

Conversion Characteristics

- * This ADC card has an accuracy of 12- or 16-bit.
- * Typically the acquisition time is 20 microseconds per channel.
- * All enabled channels are converted continuously.
- * The measured data can be read from shared memory by the host.
- * The local DSP (TMS320C203) performs acquisition sequences.
- * The CPCI392 has an onboard DC/DC converter.

PCI Interface

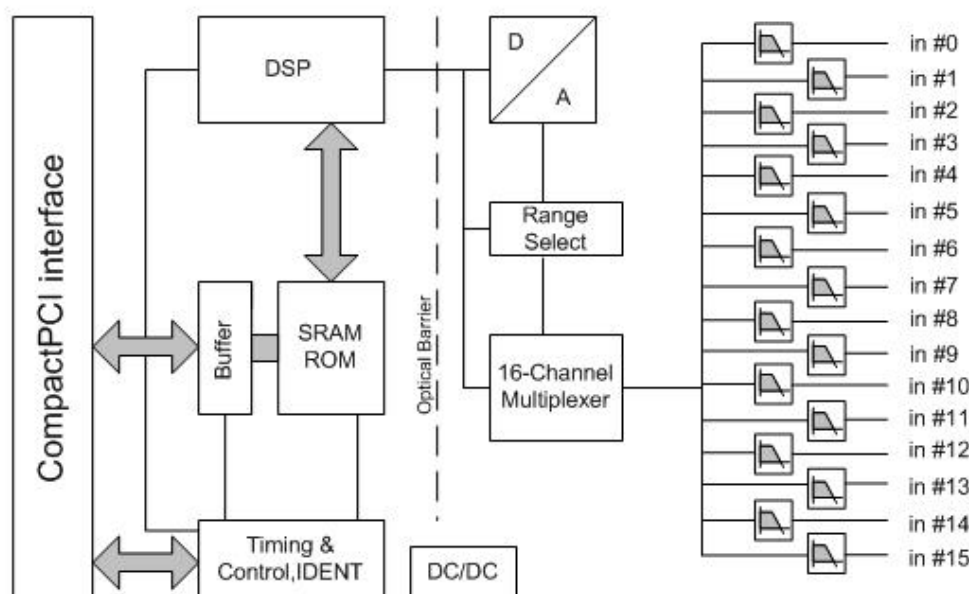
- * The CPCI392 has a PCI Specification 2.1 compliant target interface and uses a PCI9050 PCI Bus Target Interface Chip by PLX Technology Inc.

Ordering Information

- * **CPCI392/T03** (3U) 16-channel analog input, common mode, 12-bit resolution, without DCDC
- * **CPCI392/T01** (3U) 16-channel analog input, common mode, 12-bit resolution, with DCDC
- * **CPCI392/T04** (3U) 16-channel analog input, common mode, 16-bit resolution, without DCDC
- * **CPCI392/T02** (3U) 16-channel analog input, common mode, 16-bit resolution, with DCDC

Ordering Information

- * **CPCI4392/T03** (6U) 64-channel analog input, common mode, 12-bit resolution, without DCDC
- * **CPCI4392/T01** (6U) 64-channel analog input, common mode, 12-bit resolution, with DCDC
- * **CPCI4392/T04** (6U) 64-channel analog input, common mode, 16-bit resolution, without DCDC
- * **CPCI4392/T02** (6U) 64-channel analog input, common mode, 16-bit resolution, with DCDC
- * **CPCI(4)392/SW** APIS based software
- * **CPCI(4)392/MAN** manual on paper



AcQ International BV
Alanenweg 6
5342 PV OSS
The Netherlands

Phone +31 (0)412 64 19 22
Internet www.acq.nl
E-mail info@acq.nl