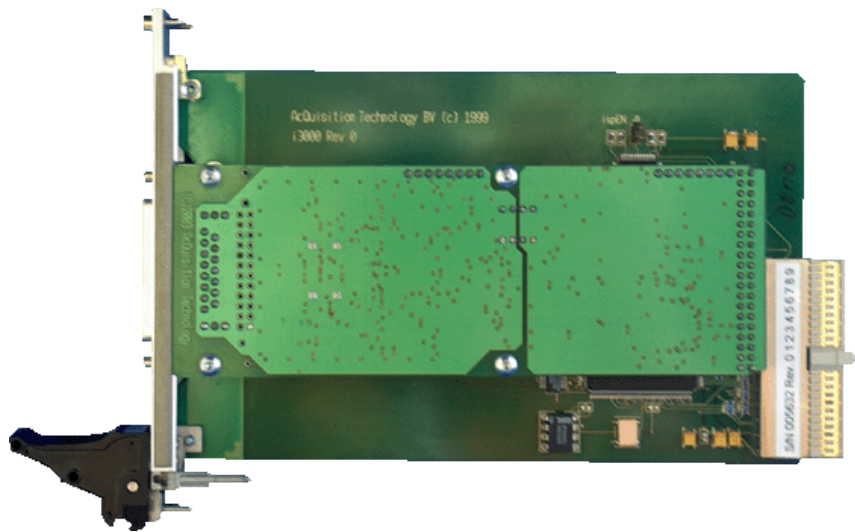


## CPCI385

# Universal Timer/Counter for CompactPCI



The CPCI385 Universal Timer/Counter CompactPCI card is an ideal solution for automated test and measurement applications. The CPCI385 features two timer/counter inputs. Both inputs have an coaxial connector for the input range of +/- 10 V and high-voltage pins for the input range of +/- 300 V. The coupling of the inputs is either AC or DC. The CPCI385 provides 6 measurement functions: frequency, high-time, low-time, period, counter and phase measurements.

This CompactPCI card is available in a 3U and a 6U form factor.

### Features:

- > Two timer/counter inputs
- > Programmable AC/DC coupling
- > Input voltage range +/- 10V
- > Additional inputs +/- 300V
- > Front-end optically isolated
- > Programmable trigger level and sensitivity
- > Minimum pulse width of the counter signals of 20 nanoseconds
- > 32-bit counter and 32-bit timer with 100 MHz timebase

## Analog Characteristics

\* The analog front-end is software programmable with respect to trigger level, sensitivity and AC/DC coupling.

## I/O Channels

- \* The CPCI385 features two timer/counter input channels.
- \* Both input channels consist of a coaxial connector for the input range of +/- 10 V and a high voltage pin for the input range of +/- 300 V.
- \* The coupling of the input channels is either AC or DC.
- \* The input range and the coupling of the input channels is software selectable.

## Typical Applications

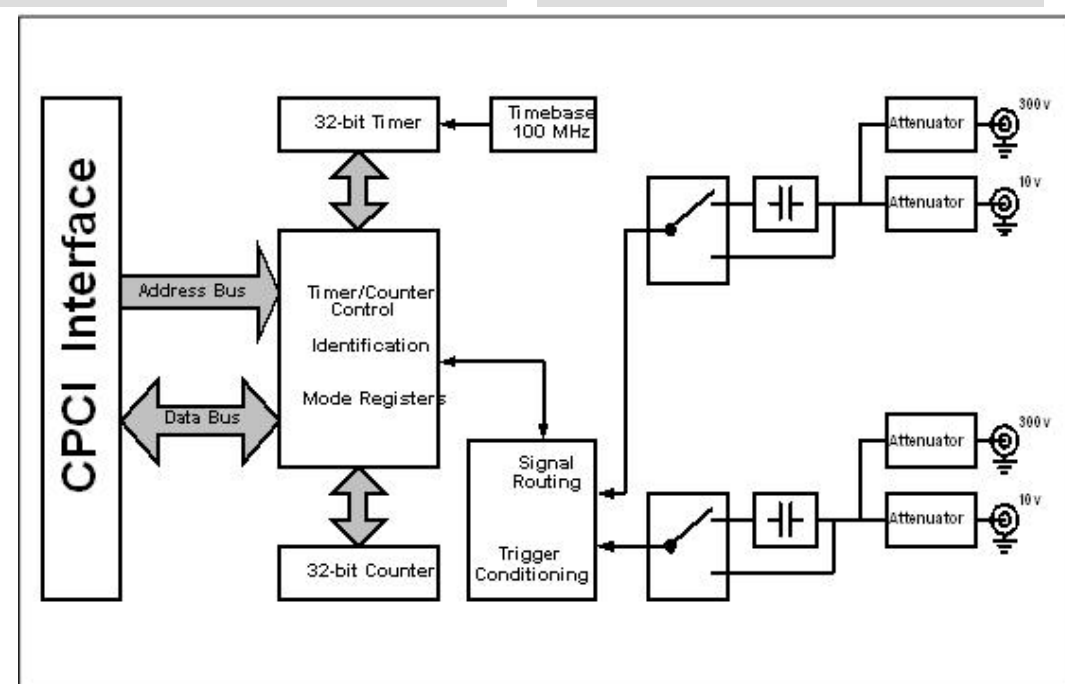
- \* Frequency measurement
- \* High-time and low-time measurement
- \* Period measurement
- \* Phase measurement
- \* Event counting

## PCI Interface

\* The CPCI385 has a PCI Specification 2.1 compliant target interface and uses a PCI9050 PCI Bus Target Interface Chip by PLX Technology Inc.

## Ordering Information

- \* **CPCI385/T01** (3U) Universal timer/counter CompactPCI Card, 100 MHz timebase
- \* **CPCI385/T02** (3U) Universal timer/counter CompactPCI Card, 250 MHz timebase
- \* **CPCI4385T01** (6U) Universal timer/counter CompactPCI Card, 100 MHz timebase
- \* **CPCI4385/02** (6U) Universal timer/counter CompactPCI Card, 250 MHz timebase
- \* **CPCI(4)385/SW** APIS based software
- \* **CPCI(4)385/MAN** manual on paper



AcQ  International

AcQ International BV  
Alanenweg 6  
5342 PV OSS  
The Netherlands

Phone +31 (0)412 64 19 22  
Internet [www.acq.nl](http://www.acq.nl)  
E-mail [info@acq.nl](mailto:info@acq.nl)

cpci385\_v5\_ds