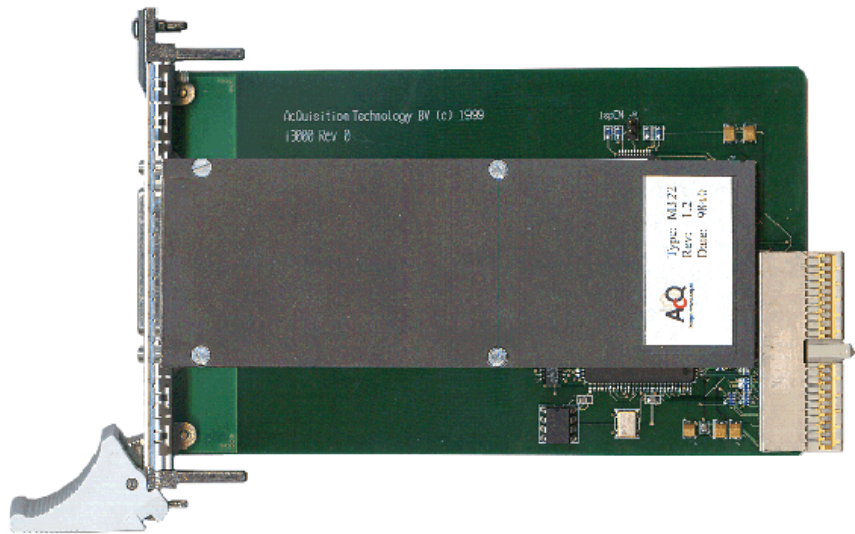


CPCI322

Stepper Motor Controller for CompactPCI



The CPCI322 is a 3U CompactPCI card. The CPCI322 Intelligent Stepper Motor Controller is designed to drive external amplifiers. This is an ideal solution for all applications where stepper motors must be controlled with a maximum of flexibility and a minimum of overhead.

This CompactPCI card is available in a 3U and a 6U form factor.

Features:

- > Controls up to two external stepper motor amplifiers independently
- > Firmware compatible with PCI321 intelligent stepper motor controller with on-board amplifiers.
- > Interrupts on position breakpoint, trajectory complete and command complete
- > Optical isolated RS422 interface with on-board isolated power supply
- > Step, direction and three general purpose signals available per channel
- > One home sensor input per channel (optical isolated)
- > Step-rates up to 50kHz
- > Programmable acceleration from 50Hz/sec to 5,000kHz/sec.

Controller

- * The CPCI322 is based on an MC68332 local controller.
- * The MC68322 handles high-level commands and is very flexible, has a versatile software interface and controls autonomously complex tasks.

Output Drivers

- * All signals on the CPCI322 are industrial (open-collector, 28V/20mA).
- * Additionally step and direction are RS422 buffered for noise immunity.
- * For enhanced external amplifiers control, three general purpose outputs and one home-input are available per channel.

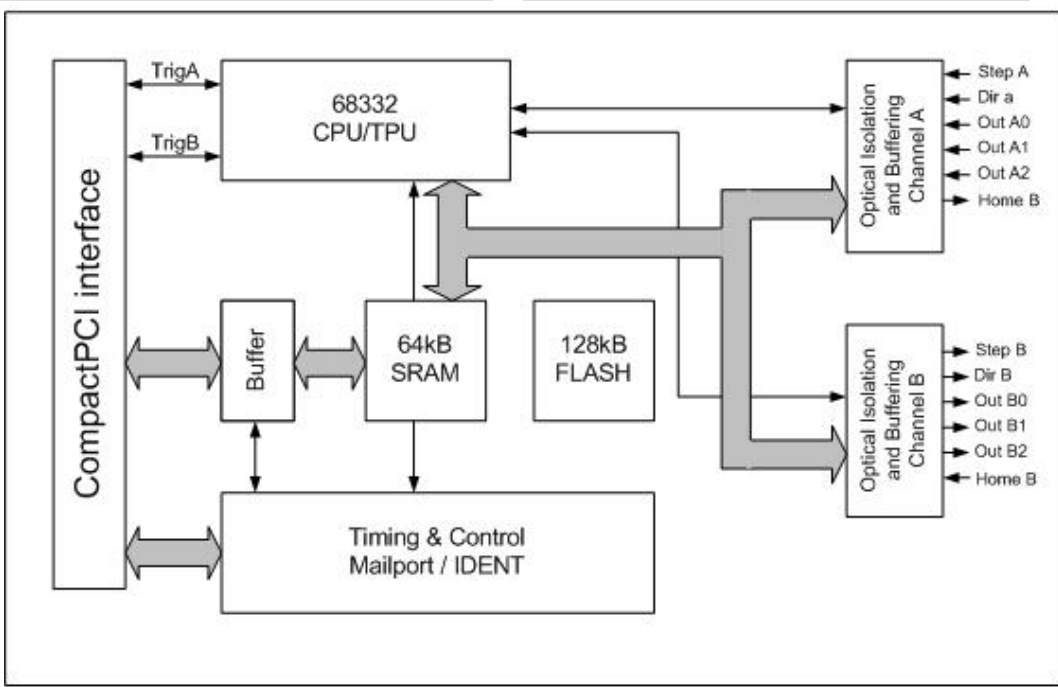
PCI Interface

- * The CPCI322 has a PCI Specification 2.1 compliant target interface and uses a PCI9050 PCI Bus Target Interface Chip by PLX Technology Inc.

Ordering Information

Ordering Information

- * **CPCI322/T01** 3U Stepper motor controller for external amplifiers
- * **CPCI4322/T01** 6U Stepper motor controller for external amplifiers
- * **CPCI(4)322/SW** APIS based software
- * **CPCI(4)322/MAN** manual on paper



AcQ International BV
Alanenweg 6
5342 PV OSS
The Netherlands

Phone +31 (0)412 64 19 22
Internet www.acq.nl
E-mail info@acq.nl