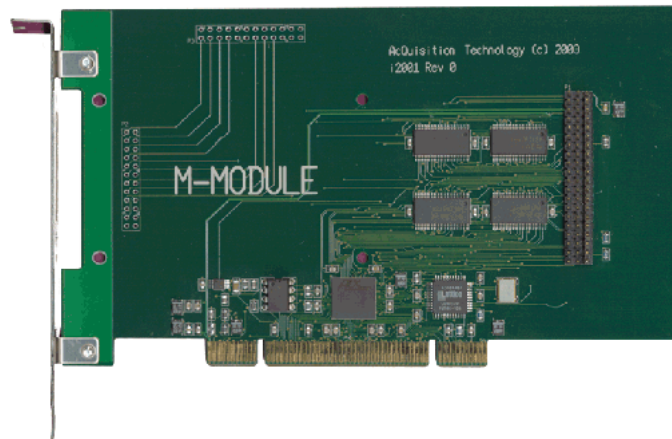


M-module Carrier for PCIbus

By AcQ Inducom



The i2001 M-module Carrier for PCI bus implements a PCI bus gateway to the M-module interface. One M-module mounting socket is provided by this carrier. The M-module I/O connector is accessible through the PCI card bracket.

The M-module interface of the i2001 complies to the M-module Specification ANSI/VITA 12-1996. The interface features A8, A24, D16 and D32 access types.

The PCI interface is PCI Specification 2.2 compliant, slave only. Operating voltage 5V, universal PCI compliant (3.3V or 5V signaling voltage). The PCI to M-module bridge is implemented using the PCI9030 PCI Bus Target Interface Chip, by PLX Technology, Inc

Features:

- > PCI Specification 2.2 Compliant Target Interface
- > Operating voltage 5V universal PCI compliant (3.3V or 5V signalling voltage)
- > M-module interface runs asynchronously to the PCI Clock
- > One M-module interface (A08/A24, D16/D32)
- > Configurable for memory-mapped and I/O-mapped operation

M-module Compliancy

- * 3-row M-module support
- * 2-row M-module support
- * A08/A24, D16/D32 address/datawidth
- * INTA supported

PCI Compliancy

- * PCI spec. 2.2 compliant Target Interface
- * Operating voltage 5v universal PCI compliant (3.3V or 5V signalling voltage)
- * Supports big/little endian byte conversion
- * Configurable for use in memory and I/O space

Connections

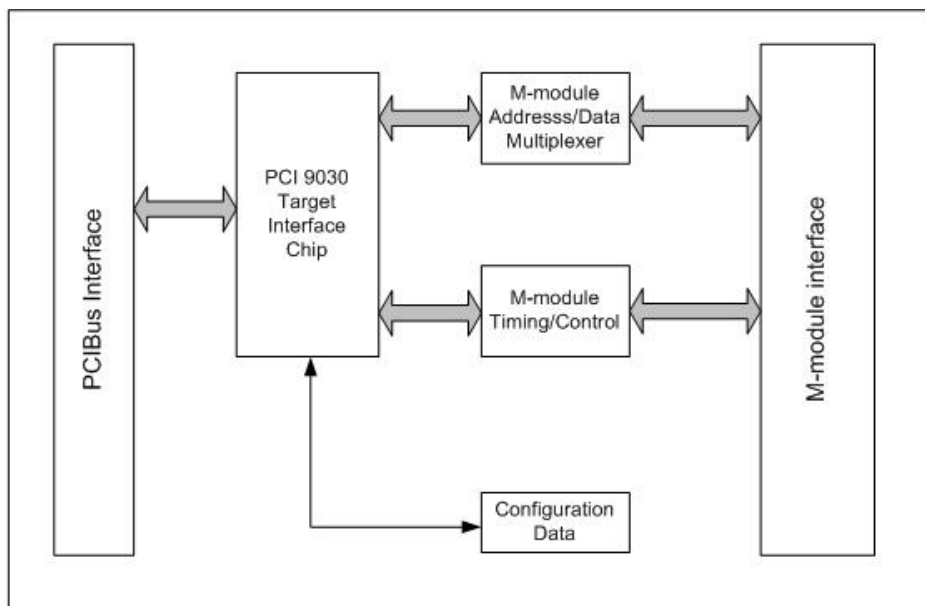
- * Card-edge connector to PCI bus
- * M-module interface connector
- * 24-pole male header connects to I/O connector on M-module
- * M-module I/O connector accessible through PCI bracket

Board Support

- * APIS platform support for DOS, Linux/i386 2.2 and 2.4 kernel, QNX, Windows 95/98/2000/XP, Solaris 8/SPARC
- * Other platforms on request

Ordering Information

- * **i2001/T01** M-module carrier
- * **i2001/SW** APIS based software
- * **i2001/MAN** manual on paper
- * **i2001/DSUB** D-sub bracket



Visit address
Rijnstraat 20
5347 KN Oss

Postal address
P.O. Box 627
5340 AP Oss

The Netherlands
Phone +31 (0)412 64 19 22
Fax +31 (0)412 62 26 40
Internet www.acq.nl
Email info@acq.nl

i2001_v2