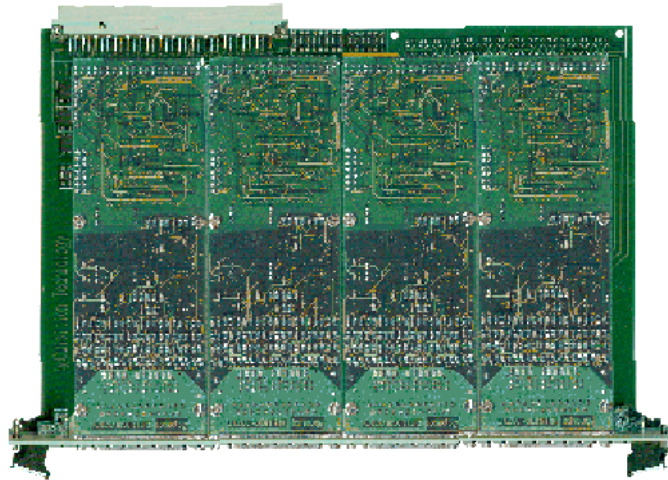


12-/16-bit 64 Channel DAC for VMEbus

By AcQ Inducom



The VME395 features 64 Analog Voltage Outputs, integrated on a 6U VMEbus Board. Each output has a 12-/16-bit resolution and a software programmable output range (0..+10V or -10..+10V). Control of the analog output is as easy as writing the binary equivalent to a dedicated register (per channel). Conversion takes place automatically. If desired, channels can be synchronized by presetting the channels and then give a simultaneous update command. The output channels are grouped into 4 sections of 16 outputs each. Each section features a local TMS320C203 DSP which is capable of executing custom algorithms for optional data processing.

Features:

- > 64 D-to-A converters with 12-/16-bit resolution
- > Simultaneously updating of outputs
- > 10 microseconds (max.) output response time
- > No potentiometers
- > Analog front end optically isolated from hosting system
- > On-board DC/DC converter for isolated power supply
- > Features 4x local TMS320C203 DSP
- > Calibration data stored in local EEPROM

VMEbus Interface

- * The VMEbus slave interface of the VME395 is compliant with the VMEbus Specification Rev C.1.
- * It supports standard or short addressing (A24/A16), D16/D08(E0) data transfer capabilities and configurable interrupt level (I(x)).

Output Characteristics

- * 64 common-mode outputs
- * Optical isolation
- * Uni-polar output range: 0V .. +10V
- * Bi-polar output range: -10V .. +10V
- * Output ranges are software programmable

Conversion Characteristics

- * 12-/16-bit conversion accuracy
- * 10 microseconds maximum output response time
- * Optional simultaneous output update
- * Quad. local DSPs (TMS320C203) performs acquisition sequences.
- * User-specific functions (e.g. table output) can be implemented on request

Module Characteristics

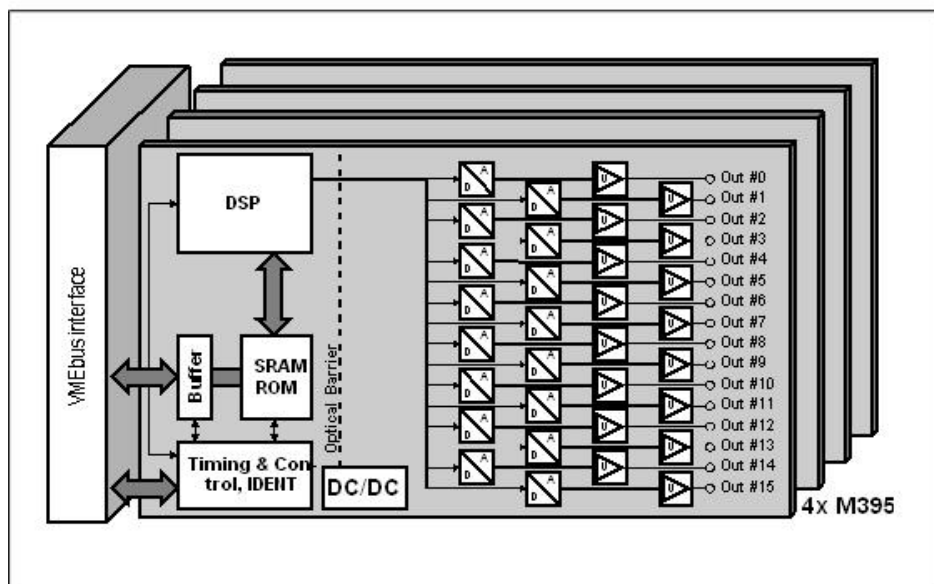
- * Onboard DC/DC converters
- * No potentiometers
- * Optical isolation from system
- * Calibration data stored in local EEPROM

Ordering Information

- * **VME1395/T04** 3U 16-channel analog voltage output, 12-bit resolution, without DCDC
- * **VME1395/T02** 3U 16-channel analog voltage output, 12-bit resolution, with DCDC
- * **VME1395/T05** 3U 16-channel analog voltage output, 16-bit resolution, without DCDC
- * **VME1395/T03** 3U 16-channel analog voltage output, 16-bit resolution, with DCDC

Ordering Information

- * **VME395/T04** 6U 64-channel analog voltage output, 12-bit resolution, without DCDC
- * **VME395/T02** 6U 64-channel analog voltage output, 12-bit resolution, with DCDC
- * **VME395/T05** 6U 64-channel analog voltage output, 16-bit resolution, without DCDC
- * **VME395/T03** 6U 64-channel analog voltage output, 16-bit resolution, with DCDC
- * **VME(1)395/SW** APIS based software
- * **VME(1)395/MAN** manual on paper



Visit address
Rijnstraat 20
5347 KN Oss

Postal address
P.O. Box 627
5340 AP Oss

The Netherlands
Phone +31 (0)412 64 19 22
Fax +31 (0)412 62 26 40
Internet www.acq.nl
Email info@acq.nl