

The VME390 features 24 two, three or four wire high-accuracy PT100 measurement channels. Each channel has programmable alarm limits on which an interrupt can be issued. Quad. local DSPs (TMS320C203) perform linearization, auto-calibration and alarm-limit checking. Sensor-data is available in °C, °F, K and Ohms. All inputs are optically isolated from the system.

This VMEbus board has a 6U form and is also available as 3U VMEbus board.

**Features:**

- > Sigma/Delta ADC with 16-bit resolution
- > Excitation current: 1mA
- > PT100 linearization (IEC751-1983, DIN43760-1980, JIS C1604-1989)
- > Programmable minimum/maximum value alarms
- > Auto calibration
- > No potentiometers
- > Analog front-end is optically isolated
- > On-board DC/DC converter for isolated power supply
- > Data acquisition handled by TMS320C203 DSP, transparent for user
- > Measurement values continuously updated in dual-ported SRAM
- > Measurement range: -200°C .. +850°C
- > Up to 7.5Hz output update rate

## VMEbus Interface

- \* The VMEbus slave interface of the VME390 is compliant with the VMEbus Specification Rev C.1.
- \* It supports standard or short addressing (A24/A16), D16/D08(EO) data transfer capabilities and configurable interrupt level (I(x)).

## DSP

- \* Quad TMS320C203 DSP
- \* Quad. Sigma-delta ADC
- \* Autonomous scanning
- \* Auto calibration
- \* 133 ms acquisition time for single channel, each additional channel adds 66 ms.
- \* Programmable alarm limits with optional interrupt

## Linearization

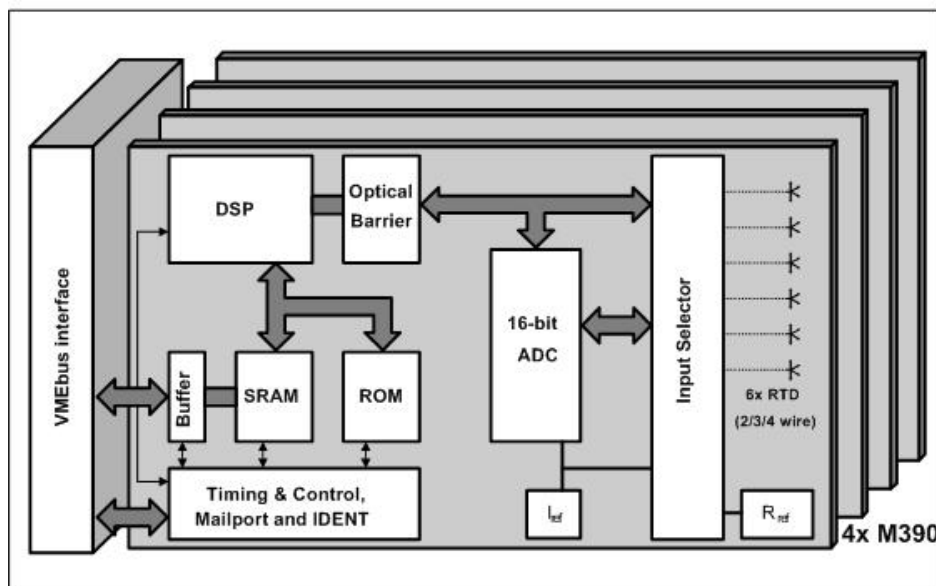
- \* Local linearization according to:
- \* IEC751-1983
- \* DIN43760-1980
- \* JISC1604-1989

## Input Characteristics

- \* Supports 2-, 3-, and 4- wire PT100, PT200, PT500 and PT1000 devices
- \* 1mA excitation current per device
- \* Optical isolation

## Ordering Information

- \* **VME1390/T01** 3U 6-channel PT100 precision measurement
- \* **VME1390/T02** 3U 6-channel PT200 precision measurement
- \* **VME1390/T03** 3U 6-channel PT500 precision measurement
- \* **VME1390/T04** 3U 6-channel PT1000 precision measurement
- \* **VME390/T01** 6U 24-channel PT100 precision measurement
- \* **VME390/T02** 6U 24-channel PT200 precision measurement
- \* **VME390/T03** 6U 24-channel PT500 precision measurement
- \* **VME390/T04** 6U 24-channel PT1000 precision measurement
- \* **VME(1)390/SW** APIS based software
- \* **VME(1)390/MAN** manual on paper



AcQ  Inducom

Visit address  
Rijnstraat 20  
5347 KN Oss

Postal address  
P.O. Box 627  
5340 AP Oss

The Netherlands  
Phone +31 (0)412 64 19 22  
Fax +31 (0)412 62 26 40  
Internet [www.acq.nl](http://www.acq.nl)  
Email [info@acq.nl](mailto:info@acq.nl)

vme390\_v2