

The VME302 provides sixteen ARINC-429 compatible channels (8x receive and 8x transmit) at any rate between 12.5 and 100kbps. Because the VME302 is built upon a flexible platform, the user interface is extremely versatile and user functions can be implemented almost without restriction, making this product flexible and user-friendly.

This VMEbus board has a 6U form and is also available as 3U VMEbus board.

Features:

- > Flexible platform allows easy addition of user-specific requirements
- > 8 transmit channels, 8 receive channels
- > Data rate software adjustable between 12.5 and 100kbps per channel
- > 16 User-selectable labels for interrupt generation upon reception
- > Status and statistics monitoring for all channels
- > ARINC-429 rise/fall capacitors selectable per channel
- > Provides excellent platform for ARINC-429 protocol analyses

Statistics

- * For each channel and for each label, the number of transmitted and received messages are logged into the statistics part of the local firmware.
- * Parity errors are logged global to a channel.

Controller

- * The onboard MC68332 32-bit controller executes firmware from local Flash memory, providing a versatile and user-friendly ARINC-429 interface

Receiving Data

- * For each receive channel, a local buffer is available for each separate label.
- * After its parity is checked, the received message is stored in the corresponding label buffer, overwriting the previous content.
- * The last received message for a specific label can be retrieved by issuing a command from the host to the firmware interface.

Transmitting Data

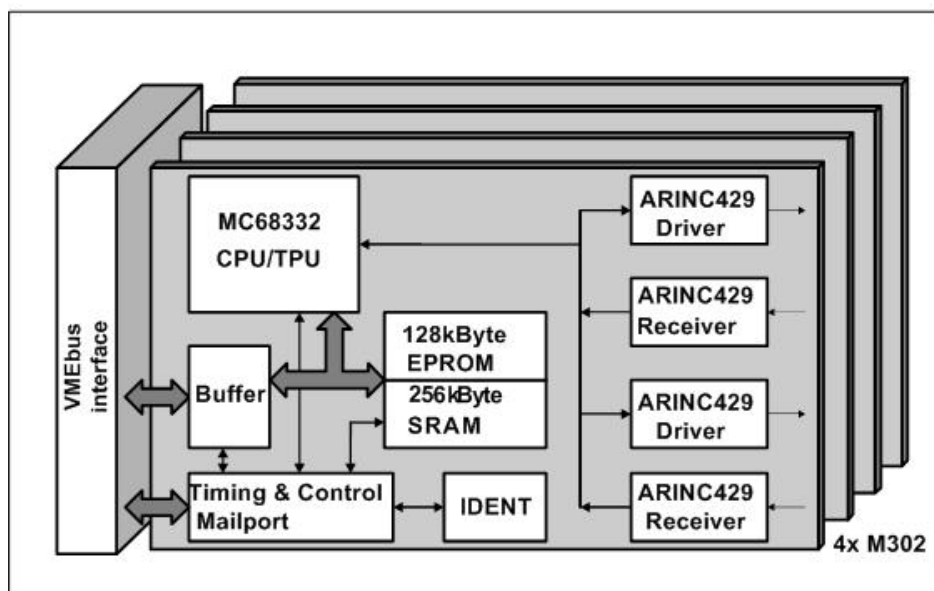
- * A message is transmitted by passing it as a parameter to the command interface, and initiate the transmit by issuing the appropriate command.
- * Parity generation (and checking!) is done on the M302 transparent to the user.

Ordering Information

- * **VME1302/T02** 3U ARINC-429 controller with no transmitters and two receivers
- * **VME1302/T03** 3U ARINC-429 controller with one transmitter and no receivers
- * **VME1302/T04** 3U ARINC-429 controller with one transmitter and two receivers
- * **VME1302/T05** 3U ARINC-429 controller two transmitters and no receivers
- * **VME1302/T01** 3U ARINC-429 controller two transmitters and two receivers
- * **VME302/T02** 6U ARINC-429 controller with no transmitters and 4x two receivers

Ordering Information

- * **VME302/T03** 6U ARINC-429 controller with 4x one transmitter and no receivers
- * **VME302/T04** 6U ARINC-429 controller with 4x one transmitter and 4x two receivers
- * **VME302/T05** 6U ARINC-429 controller with 4x two transmitters and no receivers
- * **VME302/T01** 6U ARINC-429 controller with 4x two transmitters and 4x two receivers
- * **VME(1)302/SW** APIS based software for VME1302
- * **VME(1)302/MAN** manual on paper



AcQ  Inducom

Visit address
Rijnstraat 20
5347 KN Oss

Postal address
P.O. Box 627
5340 AP Oss

The Netherlands
Phone +31 (0)412 64 19 22
Fax +31 (0)412 62 26 40
Internet www.acq.nl
Email info@acq.nl

vme302_v2