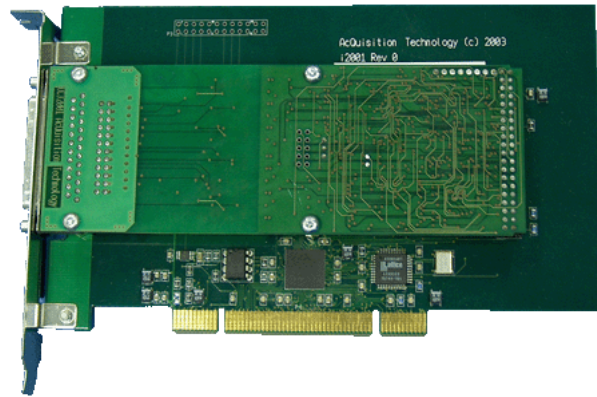


12/16-bit 16 Channel DAC for PCI

By AcQ Inducom



The PCI395 features 16 analog voltage outputs, integrated on the factory standard, ANSI certified M-module standard. Each output has a 12- or 16-bit resolution and a software programmable output range (0..+10V or -10..+10V). Control of the analog output is as easy as writing the binary equivalent to a dedicated register (per channel). Conversion takes place automatically. If desired, channels can be synchronized by presetting the channels and then give a simultaneous update command. The local TMS320C203 DSP is capable of executing custom algorithms for optional data processing.

Features:

- > 16 D-to-A converters with 12/16-bit resolution
- > Simultaneously updating of outputs
- > 10 microseconds (max.) output response time
- > No potentiometers
- > Analog front end optically isolated from hosting system
- > On-board DC/DC converter for isolated power supply
- > Features local TMS320C203 DSP
- > Calibration data stored in local EEPROM
- > PCI9050 Controller by PLX (PCI 2.1 compliant)

PCI Interface

* The PCI395 has a PCI Specification 2.2 compliant target interface and uses a PCI9030 PCI Bus Target Interface Chip by PLX Technology Inc.

Output Characteristics

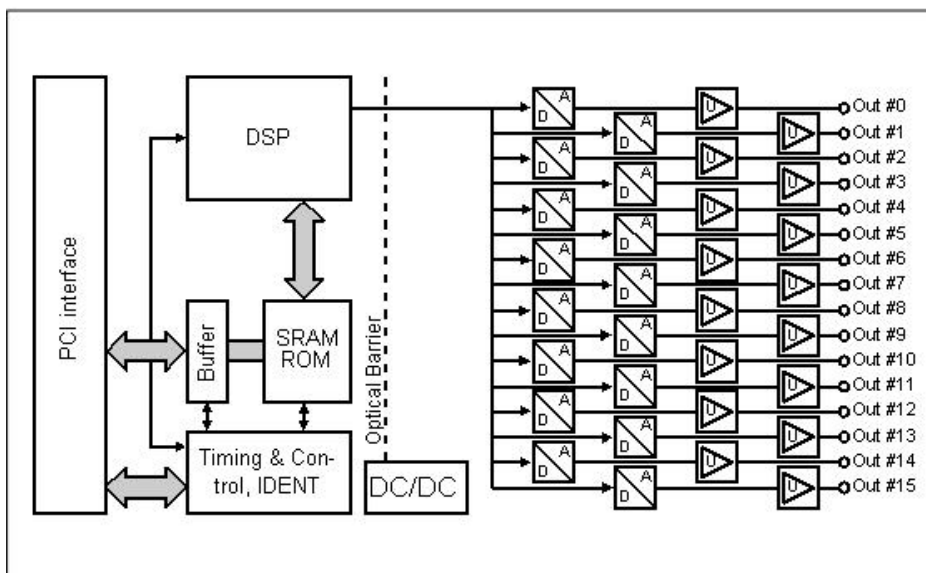
- * 16 common-mode outputs
- * Optical isolation
- * Uni-polar output range: 0V .. +10V
- * Bi-polar output range: -10V .. +10V
- * Output ranges are software programmable

Conversion Characteristics

- * The PCI395 has a 12- or 16-bit conversion accuracy and a maximum output response time of 10 microseconds.
- * The local DSP (TMS320C203) performs acquisition sequences.
- * User-specific functions (e.g. table output) can be implemented on request.

Ordering Information

- * **PCI395/T04** 16-channel analog voltage output, 12-bit resolution, without DCDC
- * **PCI395/T02** 16-channel analog voltage output, 12-bit resolution, with DCDC
- * **PCI395/T05** 16-channel analog voltage output, 16-bit resolution, without DCDC
- * **PCI395/T03** 16-channel analog voltage output, 16-bit resolution, with DCDC
- * **PCI395/SW** APIS based software
- * **PCI395/MAN** manual on paper



AcQ  Inducom

Visit address
Rijnstraat 20
5347 KN Oss

Postal address
P.O. Box 627
5340 AP Oss

The Netherlands
Phone +31 (0)412 64 19 22
Fax +31 (0)412 62 26 40
Internet www.acq.nl
Email info@acq.nl

pci395_v1