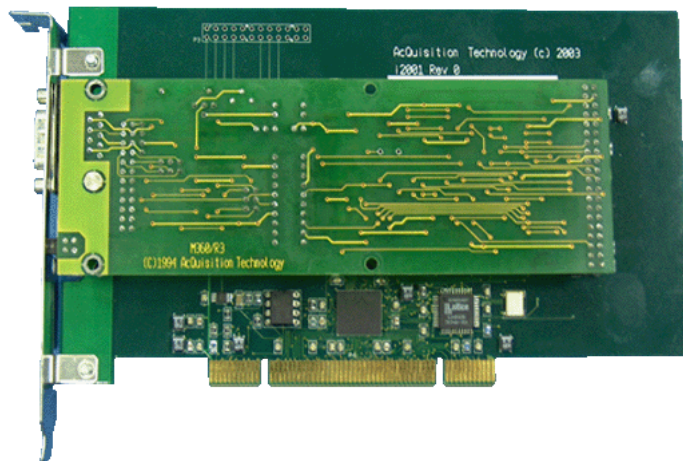


# CANbus Controller Standard Interface

By AcQ Inducom



The PCI360 CANbus controller PCI card is based on the SJA1000. The SJA1000 provides an interface to the popular CANbus that support both standard (11-bit) and extended (29-bit) identifier messages. LEDs provide diagnostics information.

The CAN network is a serial communication protocol which efficiency supports distributed real-time control with a high level of reliability.

## Features:

- > Multi-master architecture on the CAN network
- > CAN access priority determined by message identifier
- > Programmable network clock frequency
- > Data rate up to 1 Mbps
- > Status indication by two LEDs at front
- > Transmit and receive FIFO buffer
- > Full interrupt capabilities
- > High-speed isolated ISO11898 compliant transceiver
- > TTL level signals Tx0, Tx1, Rx0 and Rx1 available on output for custom physical network interface
- > Supports both 11-bit and 29-bit identifier fields

## PCI Interface

\* The PCI360 has a PCI Specification 2.2 compliant target interface and uses a PCI9030 PCI Bus Target Interface Chip by PLX Technology Inc.

## Controller

\* SJA1000 supports CANbus rev. 2.0a (11-bit identifier) and rev. 2.0b (29-bit identifier).  
\* In rev. 2.0a mode, SJA1000 is software compatible to the PCA82C200.

## Media Interfacing

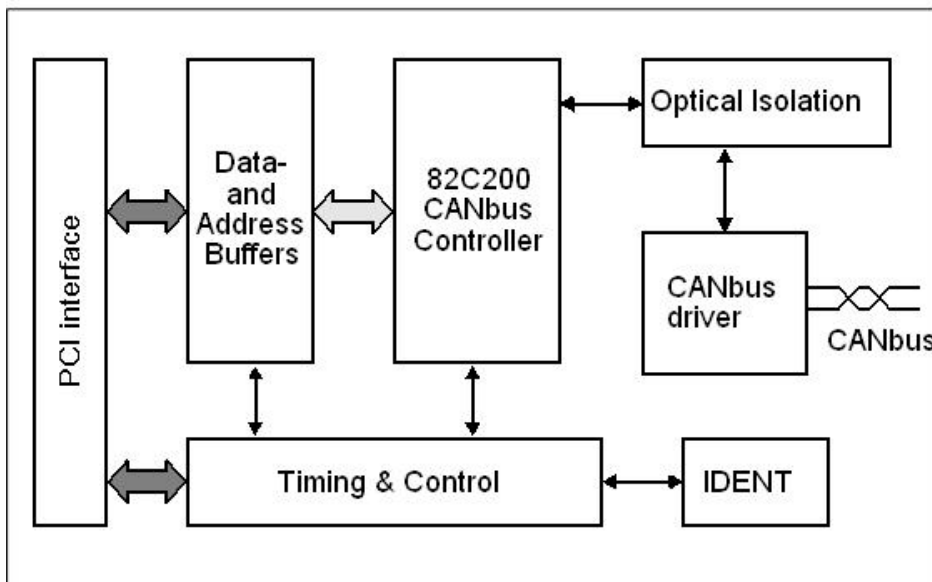
\* Signal available at front in the following formats:  
\* ISO11898 standard using the PCA82C250T transceiver  
\* RS485  
\* TTL

## Network Monitoring

\* LEDs provide diagnostic and status monitoring capabilities.

## Ordering Information

\* **PCI360/T01** PCI card  
\* **PCI360/SW** APIS based software  
\* **PCI360/MAN** manual on paper



AcQ  Inducom

Visit address  
Rijnstraat 20  
5347 KN Oss

Postal address  
P.O. Box 627  
5340 AP Oss

The Netherlands  
Phone +31 (0)412 64 19 22  
Fax +31 (0)412 62 26 40  
Internet [www.acq.nl](http://www.acq.nl)  
Email [info@acq.nl](mailto:info@acq.nl)

pci360\_v3