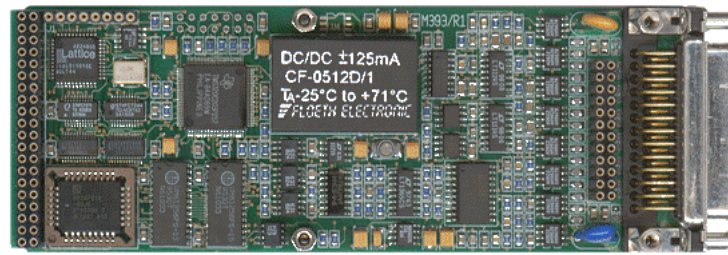


12-/16-bit ADC M-module with 8x Differential inputs

By AcQ Inducom



The M393 8-Channel Differential Input ADC M-module is very well suited to be used in applications in which autonomous signal conversion is an issue, as well as in standard mid-range applications.

A local TMS320C203 DSP provides processing capabilities to scan all channels at maximum rate, perform gain/offset compensation and store conversions results in dual-ported memory. The M393 is available in two versions, either with voltage inputs or current inputs. The current input module has an input range of 0-20mA. The voltage input module has a programmable input range which gives great flexibility for applications in data acquisition systems that need to be able to convert a wide variety of analog voltages.

Features:

- > 100kSPS ADC with 16- or 12-bit resolution
- > Software programmable input ranges
- > No potentiometers
- > 8 Differential input channels
- > Onboard filtering with 1kHz cut-off frequency
- > Analog front-end optically isolated
- > Optional onboard DC/DC converter for isolated power supply
- > Features local TMS320C203 DSP
- > Calibration data stored in local EEPROM
- > Conversion results continuously updated in dual-ported memory
- > Up to 50kHz output update rate

M-module Compliancy

- * A08/D16 (8-bit address and 16-bit data)
- * INTA (software-end-of-interrupt)
- * IDENT (identification EEPROM)

Measurement

- * M393 can be fitted to perform either 12- or 16-bit conversion (see ordering information)
- * All enabled channels are converted at a programmable rate.
- * Conversions results are stored in dual-ported memory
- * Additional functionality can be implemented on request

Analog Inputs

- * 8 differential input channels available
- * Inputs accept either voltage or current signals
- * Inputs are optically isolated from the system
- * 2-pole filter with 1kHz cut-off frequency per channel

Input Range

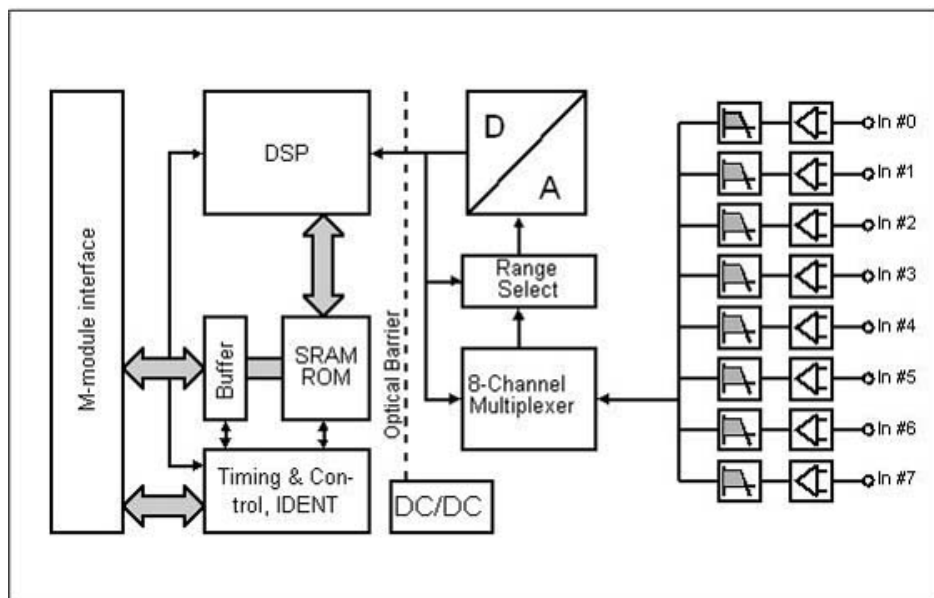
- * Voltage inputs: Uni-polar (5V, 10V) and Bi-polar +/-5V, +/-10V)
- * Current inputs:- 0..20mA

Ordering Information

- * **M393/T04** 12-bit ADC with 8x Differential Voltage Inputs M-module, without DCDC
- * **M393/T02** 12-bit ADC with 8x Differential Voltage Inputs M-module, with DCDC
- * **M393/T08** 12-bit ADC with 8x Differential Current Inputs M-module, without DCDC
- * **M393/T06** 12-bit ADC with 8x Differential Current Inputs M-module, with DCDC
- * **M393/T05** 16-bit ADC with 8x Differential Voltage Inputs M-module, without DCDC

Ordering Information

- * **M393/T03** 16-bit ADC with 8x Differential Voltage Inputs M-module, with DCDC
- * **M393/T09** 16-bit ADC with 8x Differential Current Inputs M-module, without DCDC
- * **M393/T07** 16-bit ADC with 8x Differential Current Inputs M-module, with DCDC
- * **M393/SW** APIS based software
- * **M393/MAN** manual on paper



Visit address
Rijnstraat 20
5347 KN Oss

Postal address
P.O. Box 627
5340 AP Oss

The Netherlands
Phone +31 (0)412 64 19 22
Fax +31 (0)412 62 26 40
Internet www.acq.nl
Email info@acq.nl

m393_v3