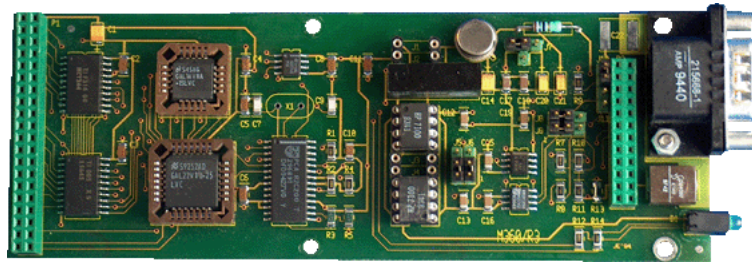


# CANbus Controller M-module

By AcQ Inducom



The M360 CANbus Controller (based on the SJA1000) is an integrated standalone controller for the Controller Area Network (CAN) with a M-module interface.

CAN is used within automotive and general industrial environments. The M360 contains all necessary hardware for high performance serial network communication. The M360 performs all the functions of the physical and data-link layers.

The use of the M360 CANbus controller in an industrial environment, results in a reduction of wiring harness and an enhanced diagnostic and supervisory capability.

#### Features:

- > CAN access priority determined by message Identifier
- > Programmable network clock frequency
- > Data rate up to 1Mbps
- > Status indication by two LEDs at front
- > Transmit and receive FIFO buffers
- > Full interrupt capability
- > High-speed isolated ISO11898 Compliant transceiver
- > TTL level signals Tx0, Tx1, Rx0 and Rx1 available on output for custom physical network interface
- > Supports both 11-bit and 29-bit identifier fields

## M-module Compliancy

- \* A08/D16 (8-bit address and 16-bit data)
- \* INTA (software end-of-interrupt)
- \* IDENT (identification EEPROM)

## Controller

- \* SJA1000 supports CANbus rev. 2.0a (11-bit identifier) and rev. 2.0b (29-bit identifier)
- \* In rev. 2.0a mode, SJA1000 is software compatible to the PCA82C200

## Media Interfacing

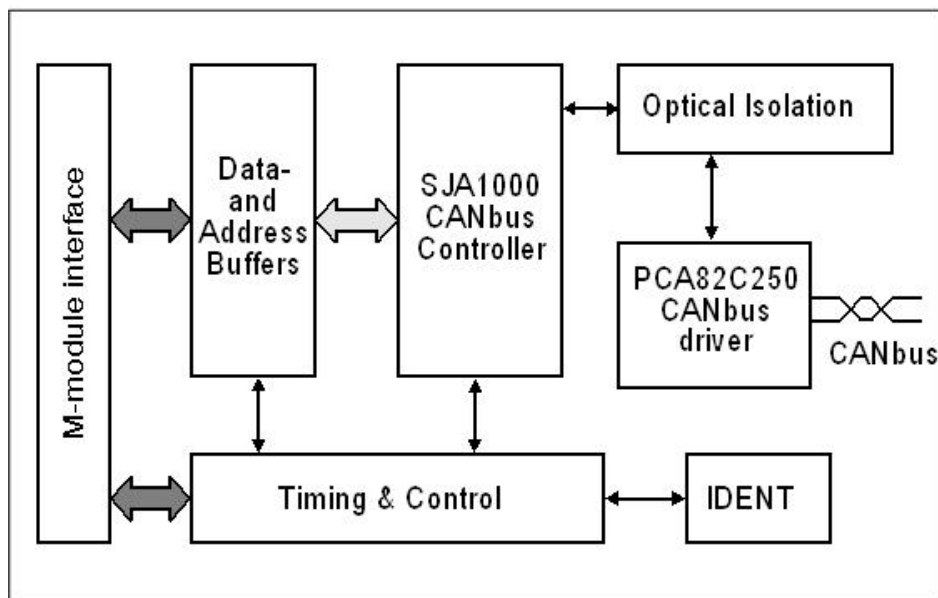
- \* Signals available at front in the following formats:
- \* ISO11898 standard using the PCA82C250T transceiver
- \* RS485
- \* TTL

## Network Monitoring

- \* Front LEDs provide diagnostic and status monitoring capabilities

## Ordering Information

- \* **M360/T01** M-module
- \* **M360/SW** APIS based software
- \* **M360/MAN** manual on paper



Visit address  
Rijnstraat 20  
5347 KN Oss

Postal address  
P.O. Box 627  
5340 AP Oss

The Netherlands  
Phone +31 (0)412 64 19 22  
Fax +31 (0)412 62 26 40  
Internet [www.acq.nl](http://www.acq.nl)  
Email [info@acq.nl](mailto:info@acq.nl)

m360\_v3