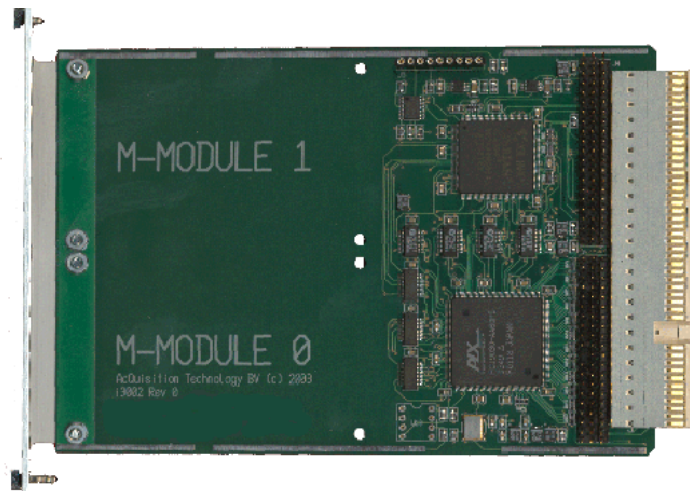


# M-module Carrier for CompactPCI (3U)

By AcQ Inducom



The i3002 provides a high-performance CompactPCI bus gateway to the M-module interface. The i3002 has a 3U form factor. Two M-modules can be mounted on the i3002. The M-module interface of the i3002 complies with the M-module specification. The M-module interface feature A8, A24, D16 and D32 access types.

The PCI interface is PCI Specification 2.2 Compliant, slave only. The PCI to M-module bridge is implemented by using the PCI9030 PCI Bus Target Interface Chip by PLX Technology Inc. The i3002 will be delivered with special guides of the mark Schroff. Other guides are available on request.

The board will be delivered with special low-profile guides (Schroff) to replace the standard guides in compatible racks.

The dimensions of the board are 111.7 x 160mm.

#### Features:

- > 5V and 3.3V signalling voltage (VIO) supported
- > 5V only power supply
- > 33MHz PCI data bus
- > Two M-module Interfaces (A08/A24, D16/D32, TRIGI, TRIGO)
- > INTA software-end-of interrupt
- > CompactPCI Specification 2.0 R3.0 Compliant

## M-module Compliancy

- \* 3-row M-module Support
- \* A08/A24, D16/D32, TRIGI, TRIGO
- \* INTA software end-of-interrupt

## PCI Compliancy

- \* PCI spec. 2.0 R3.0 Compliant
- \* PCI spec 2.2 Compliant
- \* 5V and 3.3V signalling voltage (VIO) supported
- \* 5V only power supply
- \* 33MHz PCI data bus

## Controller

- \* PCI9030 Target Interface Chip from PLX Technology Inc

## PXI

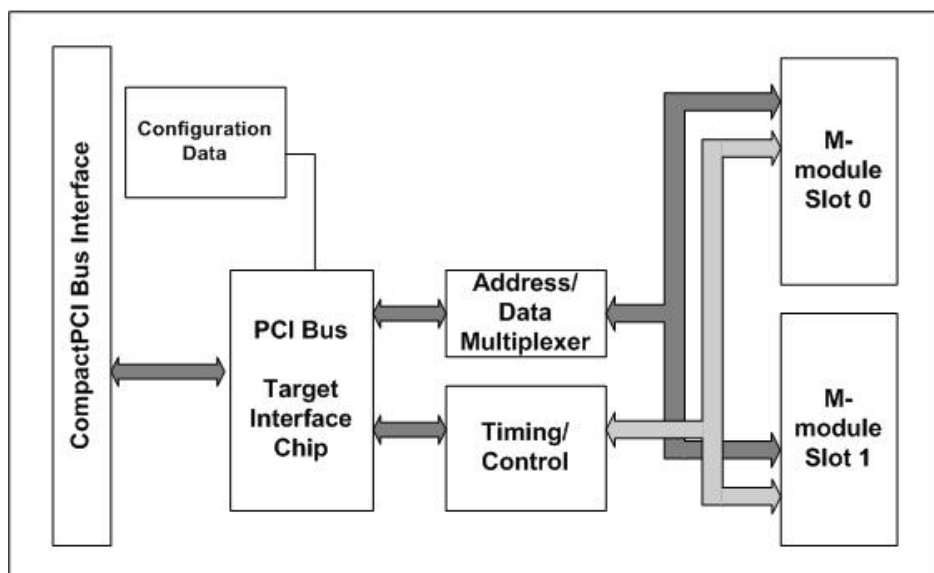
- \* Five trigger lines compliant with PXI Specification 2.1
- \* Routing of PXI trigger lines to M-module interface TRIGA, TRIGB

## Board Support

- \* APIS platform support for DOS, Linux/i386 2.2 and 2.4 kernel, QNX, Windows 95/98/2000/XP
- \* Other platforms on request

## Ordering Information

- \* **i3002/T01** i3002 dual M-module carrier for CompactPCI
- \* **i3002/T02** i3002 dual M-module carrier for CompactPCI (extended temperature -20°/+70° C)
- \* **i3002/T03** i3002 dual M-module carrier for CompactPCI (industrial temperature -40°/+85° C)
- \* **i3002/SW** APIS based software for i3002
- \* **i3002/MAN** i3002 manual on paper



AcQ  Inducom

Visit address  
Rijnstraat 20  
5347 KN Oss

Postal address  
P.O. Box 627  
5340 AP Oss

The Netherlands  
Phone +31 (0)412 64 19 22  
Fax +31 (0)412 62 26 40  
Internet [www.acq.nl](http://www.acq.nl)  
Email [info@acq.nl](mailto:info@acq.nl)

i3002\_v4