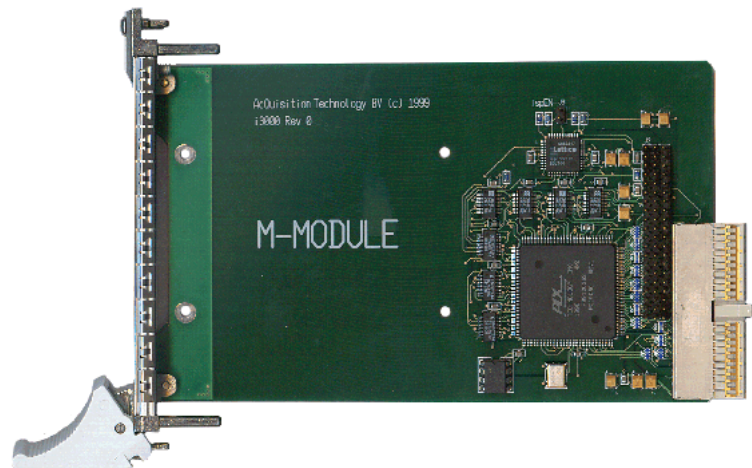


M-module Carrier for CompactPCI (3U)

By AcQ Inducom



The i3000 M-module Carrier for CompactPCI features a 3U form factor CompactPCI gateway to the M-module interface. One M-module mounting socket is provided by this carrier. This carrier can be used in temperatures from -40°/+85°C. The M-module interface of the i3000 complies to the M-module Specification ANSI/VITA 12-1996. The interface features A8, A24, D16 and D32 access types.

The CompactPCI interface is PCI Specification 2.1 compliant, slave only. The CompactPCI to M-module bridge is implemented using the PCI9050 PCI Bus Target Interface Chip, by PLX Technology, Inc.

Features:

- > PCI Specification 2.1 Compliant Target Interface
- > M-module interface runs asynchronously to the CompactPCI Clock
- > Supports big/little endian conversion
- > One M-module interface (A08/A24, D16/D32)
- > Configurable for memory-mapped and I/O - mapped operation

M-module Compliancy

- * 3-row M-module support
- * 2-row M-module support
- * A08/A24, D16/D32 address/data width
- * INTA Interrupts supported

PCI Compliancy

- * PCI spec 2.1 compliant Target Interface
- * M-module interface runs asynchronously to the PCI clock
- * Supports big/little endian byte conversion
- * Configurable for use in memory and I/O space

Controller / Connections

Controller:

- * The PCI9050 by PLX ensures PCI 2.1 compliant operation

Connections:

- * IEC1076-4-101 J1 connector to CompactPCI bus
- * M-module interface connector

Environmental

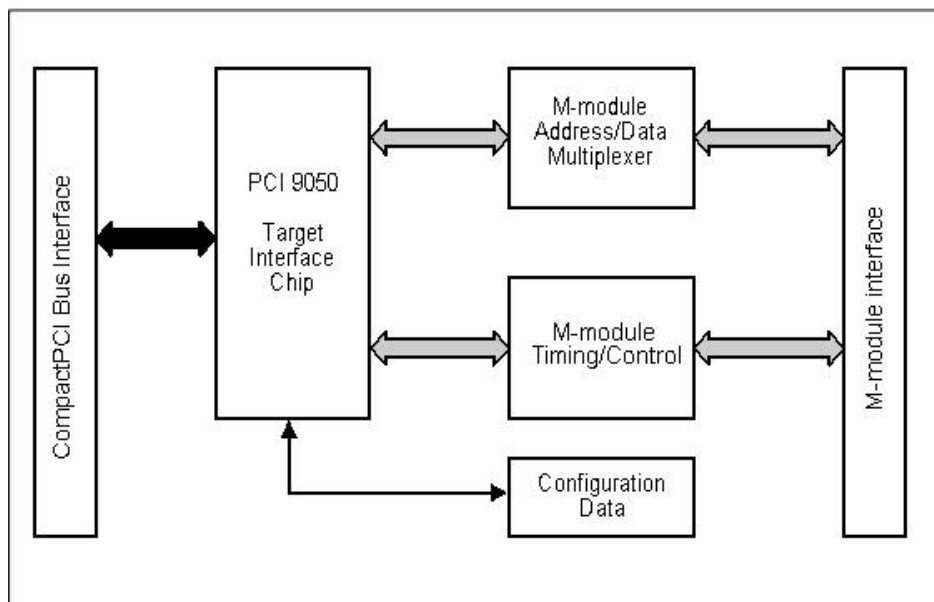
- * Temperature range from -40°/+85°C

Board Support

- * APIS platform support for DOS, Linux/i386 2.2 and 2.4 kernel, QNX, Windows 95/98/2000/XP, Solaris 8/SPARC
- * Other platforms on request

Ordering Information

- * **i3000/T01** M-module carrier
- * **i3000/T02** M-module carrier, extended temperature
- * **i3000/SW** APIS based software
- * **i3000/MAN** manual on paper
- * **i3000/DSUB** D-sub front



Visit address
Rijnstraat 20
5347 KN Oss

Postal address
P.O. Box 627
5340 AP Oss

The Netherlands
Phone +31 (0)412 64 19 22
Fax +31 (0)412 62 26 40
Internet www.acq.nl
Email info@acq.nl

i3000_v4