

The CPCI395 features 16 analog voltage outputs, integrated on the CompactPCI standard. Each output has a 12- or 16-bit resolution and a software programmable output range (0..+10V or -10..+10V). Control of the analog output is as easy as writing the binary equivalent to a dedicated register (per channel). Conversion takes place automatically. If desired, channels can be synchronized by presetting the channels and then give a simultaneous update command. The local TMS320C203 DSP is capable of executing custom algorithms for optional data processing.

This CompactPCI card is available in a 3U and a 6U form factor.

**Features:**

- > 16 D-to-A converters with 12- or 16-bit resolution
- > Simultaneously updating of outputs
- > 10 microseconds (max.) output response time
- > No potentiometers
- > Analog front end optically isolated from hosting system
- > On-board DC/DC converter for isolated power supply
- > Features local TMS320C203 DSP
- > Calibration data stored in local EEPROM

## Output Characteristics

- \* The CPC1395 has 16 common-mode output channels.
- \* These channels are optically isolated.
- \* Output ranges are software programmable.
- \* Uni-polar output range: 0V to +10V
- \* Bi-polar output range: -10V to +10V

## Conversion Characteristics

- \* The CPC1395 has a 12- or 16-bit conversion accuracy and a maximum output response time of 10 microseconds.
- \* The local DSP (TMS320C203) performs acquisition sequences.
- \* User-specific functions (e.g. table output) can be implemented on request.

## PCI Interface

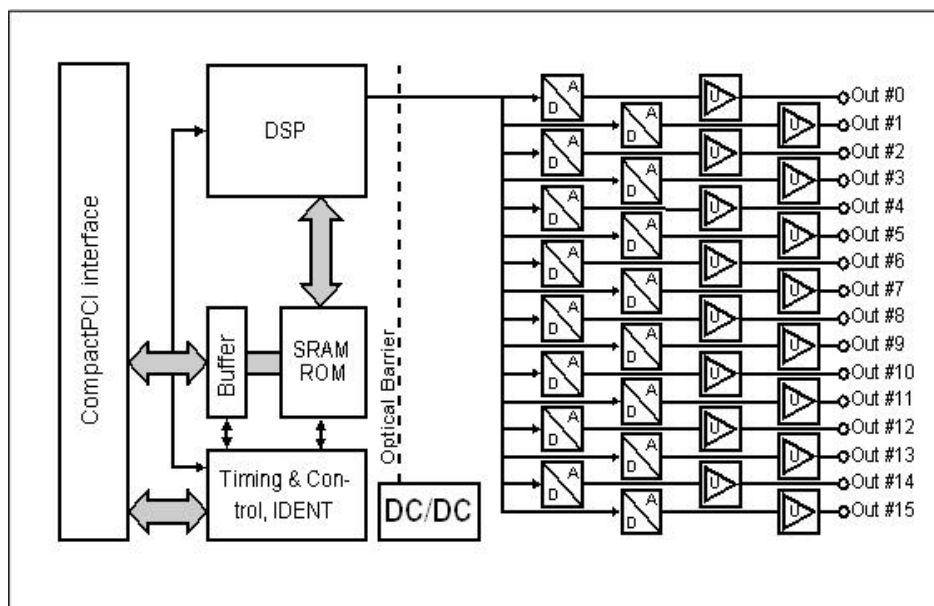
- \* The CPC1395 has a PCI Specification 2.1 compliant target interface and uses a PCI9050 PCI Bus Target Interface Chip by PLX Technology Inc.

## Ordering Information

- \* **CPC1395/T04** (3U) 16-channel analog voltage output, 12-bit resolution, without DCDC
- \* **CPC1395/T02** (3U) 16-channel analog voltage output, 12-bit resolution, with DCDC
- \* **CPC1395/T05** (3U) 16-channel analog voltage output, 16-bit resolution, without DCDC
- \* **CPC1395/T03** (3U) 16-channel analog voltage output, 16-bit resolution, with DCDC

## Ordering Information

- \* **CPC14395/T04** (6U) 64-channel analog voltage output, 12-bit resolution, without DCDC
- \* **CPC14395/T02** (6U) 64-channel analog voltage output, 12-bit resolution, with DCDC
- \* **CPC14395/T05** (6U) 64-channel analog voltage output, 16-bit resolution, without DCDC
- \* **CPC14395/T03** (6U) 64-channel analog voltage output, 16-bit resolution, with DCDC
- \* **CPC1(4)395/SW** APIS based software
- \* **CPC1(4)395/MAN** manual on paper



Visit address  
Rijnstraat 20  
5347 KN Oss

Postal address  
P.O. Box 627  
5340 AP Oss

The Netherlands  
Phone +31 (0)412 64 19 22  
Fax +31 (0)412 62 26 40  
Internet [www.acq.nl](http://www.acq.nl)  
Email [info@acq.nl](mailto:info@acq.nl)